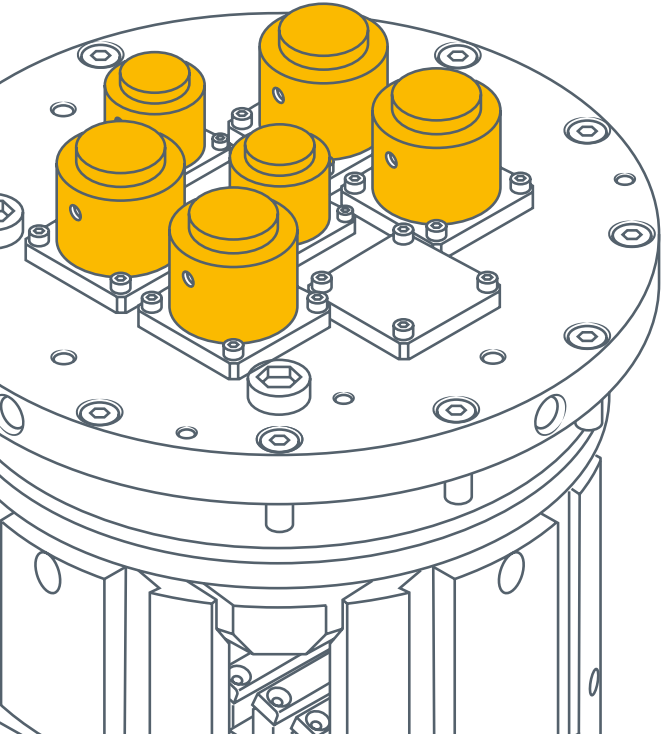


# ACT

## Augmented Control Technologies

The simple guide to maintaining cost-effective subsea production.



# Production reliability becoming an issue?

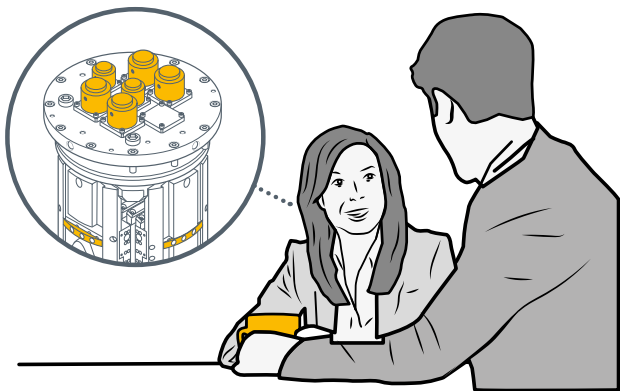


There's a common misconception when looking to optimise subsea production.

New systems will not integrate with existing ones, so whenever there's a problem, entire systems should be replaced with new ones, meaning massive cost, significant downtime and a loss in production.

ACT is a much simpler, and cost-effective way to maintain production, without full system replacement.

## Obsolescence support for extended well life.



Often there is insufficient support for ageing systems from the OEM. The parts are obsolete. The technology is no longer available.

However, a co-exist solution is available from Proserv.

Through retrofit technology, ACT allows for a well life upgrade by replacing obsolete electronics, maximising your existing assets with obsolescence and engineering support, improving connectivity and performance while we're about it.

# Adding wells to brownfield subsea systems.



To create additional wells by extending fields requires new technology to co-exist with existing technology both subsea and topside.

ACT enables the seamless integration of both systems, without affecting existing subsea control systems. It also alleviates the need for new umbilicals, minimising downtime.

## Additional instrumentation to optimise production.



To monitor ageing assets within an upgraded brownfield, additional instrumentation is often required. But it may not be supported by your existing control system.

Through ACT, powerful co-exist communications options eliminate the need for new umbilical infrastructures, providing the required information to maximise your production.

# Building a sustainable future for oil and gas.

Proserv has a successful track record delivering world-class solutions to clients around the world.

We help our clients reduce costs, improve reliability, maximise field life and fast track production.

Proserv has identified that almost half of all client engagement looking for alternative solutions is because of dissatisfaction with the reliability of their current subsea production control systems or the performance of their current provider.

The challenges and opportunities that the industry faces with brownfield subsea developments are varied, but all too often the industry's response to them is not.

Changing our approach to how we do business will therefore be the industry's lifeline.

## Think smart and break out from the norm.

The frequent reaction to a problem is to call for a complete system change when sometimes a more flexible approach may be appropriate.

Core to the Proserv offering is the practice of working round the problem to find the best solution rather than trying to address the issue with a single restrictive product offering approach. This can mean focusing on the technology or system that needs attention and co-existing or augmenting the existing system rather than recommending a complete change out.

By thinking in a smarter way to solve the problem, and breaking out from the notion that all issues require a full system upgrade, operators will be able to prosper, even in the current economic climate.

Enhance production  
the simple way.

**ACT.**

visit [proservact.com](http://proservact.com)

**pro**serv

INGENIOUS SIMPLICITY