

Product Information Notification

PN 25320-X and PN 25323-X Bonnet Material Improvement

REV	DATE	DESCRIPTION	ORIGIN (issued by)	APPROVED
Rev 001	01-08-2019	Document No: 110-010819-001		

COMPANY PROPRIETARY INFORMATION

© 2014 Proserv. All Rights Reserved. This document contains confidential & proprietary information of Proserv. It is not to be in whole or in part, used, reproduced, disclosed, in any way made public or is it to be used for any purpose other than for which it was issued without express permission of Proserv. Proserv shall not be liable for any compensation, claims or damages resulting from any unauthorised use of this document or any information contained herein & you agree to defend & hold Proserv harmless with respect to any such compensation, claims or damages. This document & all information & data contained herein are subject to return upon demand. Legal action may follow any breach of this Copyright.

For more information:

Call (800) 469-8786

America.sales@proserv.com

Proserv Gilmore Valve, LLC
1231 Lumpkin Road
Houston, TX 77043

Product Information Notification

PN 25320-X and PN 25323-X Bonnet Material Improvement

Proserv Gilmore Valve announces a material improvement to our Hydraulic Relief Valve PN 25320-X and PN 25323-X series. The WCB cast bonnet, PN 23401-2 has been obsoleted due to unavailability and replaced with a machined 316 SS bonnet, PN 23401-3.

Please note that while this change increases the valve envelope, it does not affect the valve's port location. The bonnet maximum width has now increased from 2.00 inches to 2.70 inches. The porting location for these bonnets are identical and can be swapped out directly.

The following part numbers are immediately affected by this change:

PN 25320-1, PN 25320-2, PN 25320-3, PN 25320-4, PN 25320-5

PN 25323-1, PN 25323-2, PN 25323-3, PN 25323-4, PN 25323-5

Figure 1. PN 25320-1 with obsolete cast bonnet PN 23401-2 (Left) and new machined bonnet PN 23401-3 (Right)



Figure 2. PN 25320-1 with cast bonnet PN 23401-2: Reference Dimensions

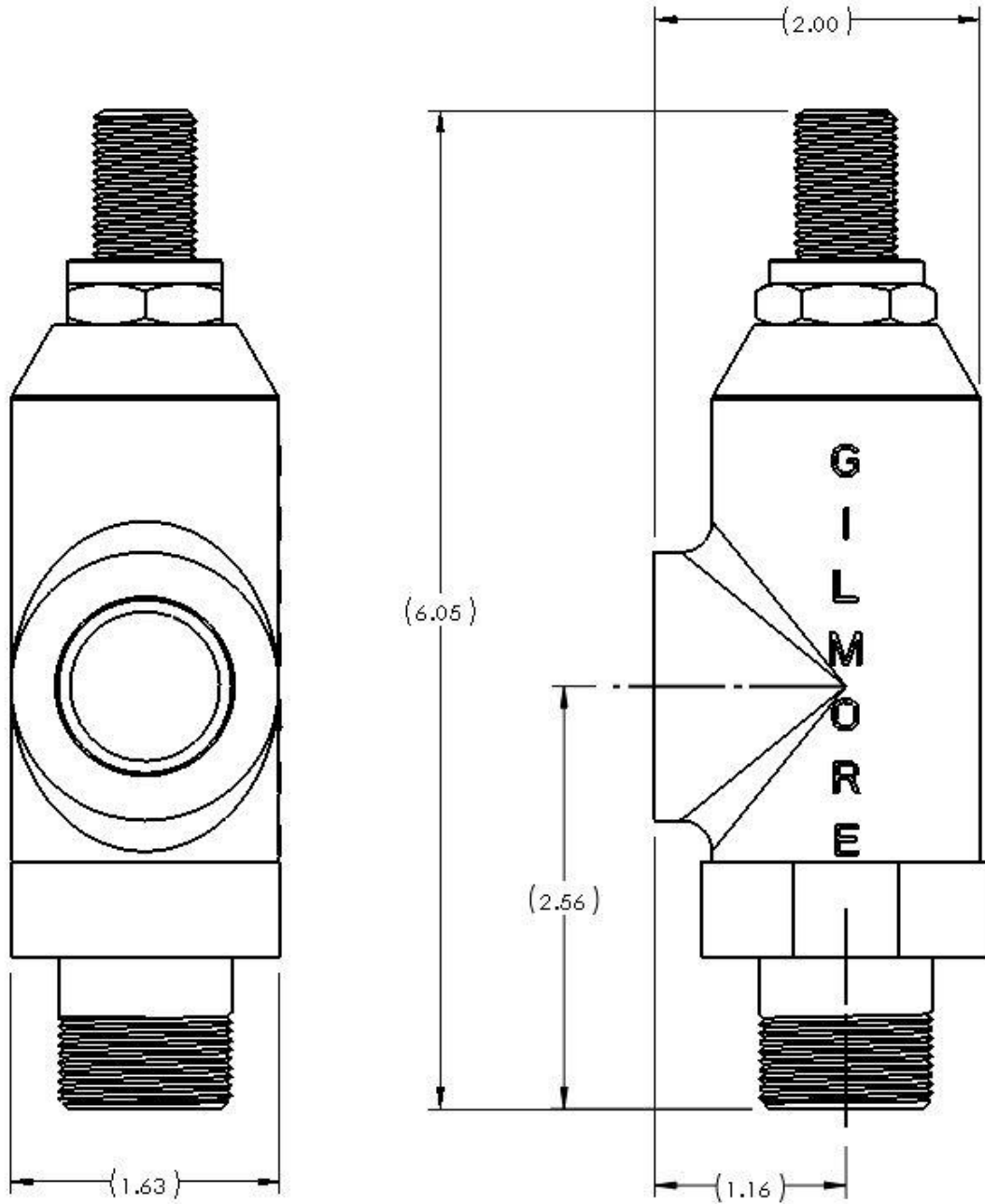
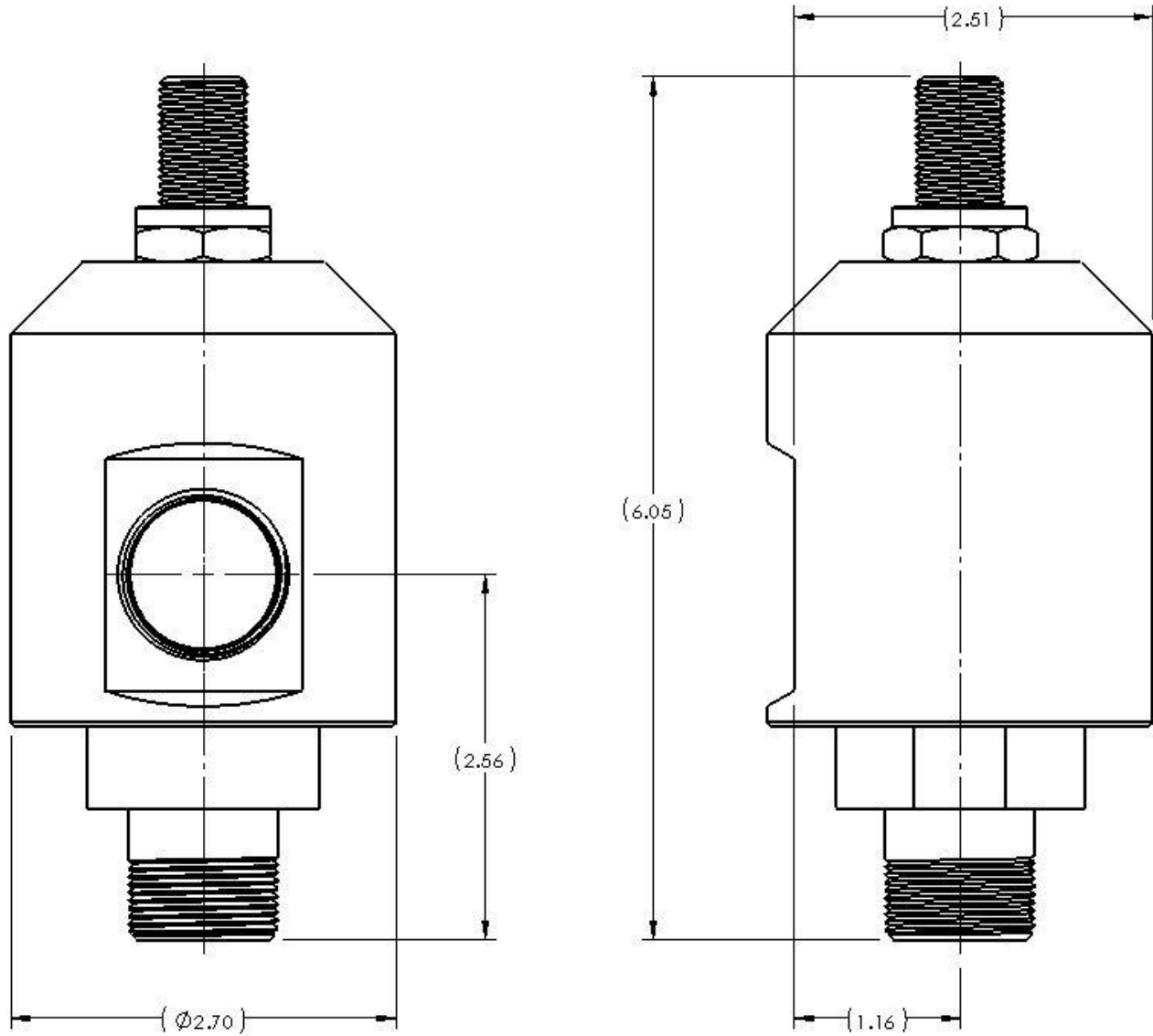


Figure 3. PN 25320-1 with machined bonnet PN 23401-3: Reference Dimensions



Please contact Proserv Gilmore Valve Customer Service should you have any questions or concerns regarding this change.