

1/2" GEN 2 SPM Cartridge & Valve Product Line

REV	DATE	DESCRIPTION	ORIGIN (issued by)	APPROVED
001	01-24-2020	Document No: 105-012420-001	AP	BR

COMPANY PROPRIETARY INFORMATION

© 2014 Proserv. All Rights Reserved. This document contains confidential and proprietary information of Proserv. It is not to be in whole or in part, used, reproduced, disclosed, in any way made public or is it to be used for any purpose other than for which it was issued without express permission of Proserv. Proserv shall not be liable for any compensation, claims or damages resulting from any unauthorised use of this document or any information contained herein, and you agree to defend and hold Proserv harmless with respect to any such compensation, claims or damages. This document with all information and data contained herein are subject to return upon demand. Legal action may follow any breach of this Copyright.

For more information:

Call (800) 469-8786

Gilmore@proserv.com

Gilmore
1231 Lumpkin Road
Houston, TX 77043

1/2" GEN 2 SPM Cartridge & Valve Product Line

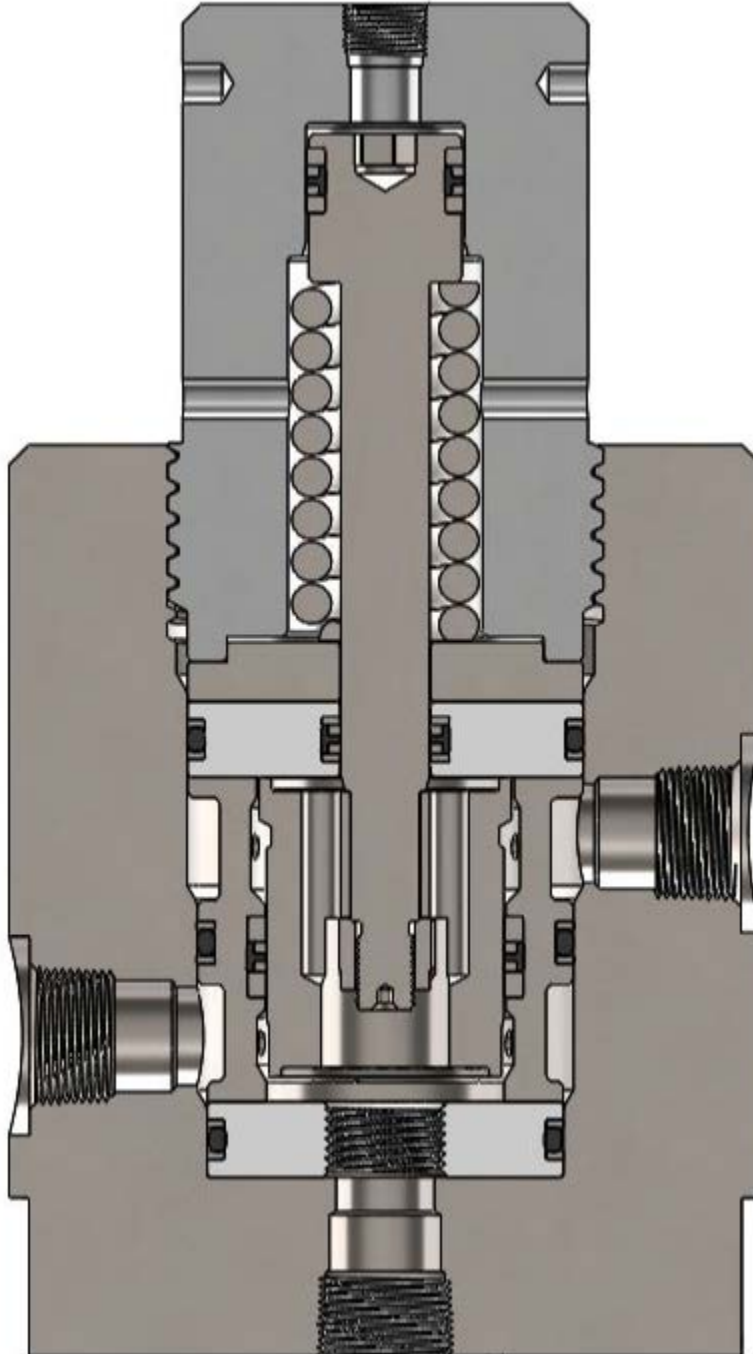


Gilmore announces the new 1/2 inch GEN 2 SPM product line for critical offshore and subsea applications. The 1/2 inch GEN 2 SPM has been redesigned with significant improvements, within the same cavity and footprint as the legacy SPM, allowing direct replacement in existing Gilmore SPM manifolds. Gilmore's proprietary cartridge technology provides an order of magnitude improvement in SPM cycle life.

Features and Benefits:

- Qualification exceeds API 16D requirements –
 - Two separate full flow tests at 2500 cycles each
- Proprietary bi-directional cartridge performs in both Normally Closed or Normally Open applications
- Reduces interflow
- Improved valve materials:
 - 316 SS Body and Spring
 - Nitronic 50 Piston Rod
 - Nitronic 60 Seal Sleeve and Cage
 - Aluminium Bronze Bushing
 - Shouldered and Torqued Nylon Lock Nut
 - Dynamic T-Seals
 - HNBR Soft Seals with PEEK Double Back-up Rings
 - Delrin 511P Top and Bottom Seals
- Wide array of options available for body and port style, and customized manifold assemblies
- Patent Pending

Figure 1. PN 29078: ½ inch GEN 2 SPM Valve, N.C., ½ inch NPT, 5000 psi Supply, 5000 psi Pilot



Gilmore has met or exceeded API 16D requirements by qualifying the new ½ inch GEN 2 SPM designs to multiple endurance qualification tests to 2500 cycles at 5000 psi and 75gpm with 1% - 4% water glycol test fluid.

The new ½ inch GEN 2 SPM Cartridge and Valve have the identical cavity and valve footprint dimensions as the legacy SPM, allowing drop-in replacement.

As a result of the new Gilmore ½ inch GEN 2 SPM product line, please note that sales of the legacy ½ inch SPM Cartridge and Valve part numbers listed below will be discontinued as of January 24, 2021. The new Gilmore ½ inch GEN 2 SPM Cartridge and Valves are now available as a replacement for the legacy ½ inch SPM Cartridge and Valves.

After new valve sales are discontinued, Gilmore will continue to support the legacy ½ inch SPM product line:

- Gilmore will continue providing repair kits and seal kits in support of discontinued legacy ½ inch SPM Cartridge and Valves for a minimum of three years. The legacy ½ inch SPM Cartridge and Valves listed below can be repaired in the field.
- Gilmore Aftermarket will continue to support discontinued legacy products with factory failure analysis and repair services for a minimum of three years.

Please note that GEN 2 repair kits are not interchangeable with legacy repair kits and cannot be used in legacy SPMs. Please contact Gilmore Customer Service to assist you with selecting the GEN 2 replacement valve part numbers.

Table 1. New and Legacy ½ inch SPM Part Number Cross References:

Item	Legacy Description	Legacy Valve PN	Legacy Repair Kit PN	GEN 2 Cartridge or Valve Description	GEN 2 Valve PN	GEN 2 Repair Kit PN
1.1	Valve, ½ inch SPM, N.O., 1/2 NPT Block Ports, 1/4 NPT Pilot Port	27610-1	27165-2 RK	Valve, ½ inch GEN 2 SPM, N.O., 1/2 NPT Block Ports, 1/4 NPT Pilot Port	29078	29078 RK
1.2	Valve, ½ inch SPM, N.C., 1/2 NPT Block Ports, 1/4 NPT Pilot Port	27611-1	27166-2 RK	Valve, ½ inch GEN 2 SPM, N.C., 1/2 NPT Block Ports, 1/4 NPT Pilot Port	29079	29079 RK
1.3	Valve, ½ inch SPM, N.O., 1/2 NPT Block Ports, 1/4 NPT Pilot Port, 1/4 NPT Flushing Port	173847	174413	Valve, ½ inch GEN 2 SPM, N.O., 1/2 NPT Block Ports, 1/4 NPT Pilot Port, 1/4 NPT Flushing Port	29085	29085 RK
1.4	Valve, ½ inch SPM, N.C., 1/2 NPT Block Ports, 1/4 NPT Pilot Port, 1/4 NPT Flushing Port	173848	174415	Valve, ½ inch GEN 2 SPM, N.C., 1/2 NPT Block Ports, 1/4 NPT Pilot Port, 1/4 NPT Flushing Port	29086	29086 RK
1.5	Cartridge, ½ inch SPM, N.O., 1/4 NPT Pilot Port	27165-2	27165-2 RK	Cartridge, ½ inch GEN 2 SPM, N.O. and N.C., 1/4 NPT Pilot Port	29076	29076 RK
1.6	Cartridge, ½ inch SPM, N.C., 1/4 NPT Pilot Port	27166-2	27166-2 RK	Cartridge, ½ inch GEN 2 SPM, N.O. and N.C., 1/4 NPT Pilot Port	29076	29076 RK
1.7	Cartridge, ½ inch SPM, Low Interflow, N.C., 1/4 NPT Pilot Port	27166-3	27166-3 RK	Cartridge, ½ inch GEN 2 SPM, N.O. and N.C., 1/4 NPT Pilot Port	29076	29076 RK

Item	Legacy Description	Legacy Valve PN	Legacy Repair Kit PN	GEN 2 Cartridge or Valve Description	GEN 2 Valve PN	GEN 2 Repair Kit PN
1.8	Cartridge, ½ inch SPM, N.O., 1/4 NPT Pilot Port, Delrin Seats	27165-5	27165-5 RK	Cartridge, ½ inch GEN 2 SPM, N.O. and N.C., ¼ NPT Pilot Port	29076	29076 RK
1.9	Cartridge, ½ inch SPM, N.C., 1/4 NPT Pilot Port, Delrin Seats	27166-5	27166-5 RK	Cartridge, ½ inch GEN 2 SPM, N.O. and N.C., 1/4 NPT Pilot Port	29076	29076 RK
1.10	Cartridge, ½ inch SPM, N.O., 1/4 NPT Pilot Port, Delrin Seats	28480	28480 RK	Cartridge, ½ inch GEN 2 SPM, N.O. and N.C., 1/4 NPT Pilot Port	29076	29076 RK
1.11	Cartridge, ½ inch SPM, N.C., 1/4 NPT Pilot Port, Delrin Seats	28479	28479 RK	Cartridge, ½ inch GEN 2 SPM, N.O. and N.C., 1/4 NPT Pilot Port	29076	29076 RK
1.12	Cartridge, ½ inch SPM, N.O., 1/4 NPT Pilot Port, 1/4 NPT Flushing Port	173849	174413	Cartridge, ½ inch GEN 2 SPM, N.O. and N.C., 1/4 NPT Pilot Port, 1/4 NPT Flushing Port	29077	29077 RK
1.13	Cartridge, ½ inch SPM, N.C., 1/4 NPT Pilot Port, 1/4 NPT Flushing Port	173850	174415	Cartridge, ½ inch GEN 2 SPM, N.O. and N.C., 1/4 NPT Pilot Port, 1/4 NPT Flushing Port	29077	29077 RK

Table 2. Uncommon Legacy 1/2 inch SPM Valve Part Numbers

Item	Legacy Description	Legacy Valve PN	Legacy Repair Kit PN	GEN 2 Valve Description	GEN 2 Valve PN	GEN 2 Repair Kit PN
2.1	Valve, Dual, 1/2 inch SPM, Low Interflow, N.C., 1/2 NPT Block Ports, 1/4 NPT Pilot Port	156593	156691	Valve, Dual, 1/2 inch GEN 2 SPM, N.C., 1/2 NPT Block Ports, 1/4 NPT Pilot Port	29083	29083 RK
2.2	Valve, Dual, 1/2 inch SPM, N.C., 1/2 NPT Block Ports, 1/4 NPT Pilot Port	90605	90605 RK	Valve, Dual, 1/2 inch GEN 2 SPM, N.C., 1/2 NPT Block Ports, 1/4 NPT Pilot Port	29083	29083 RK
2.3	Valve, 1/2 inch SPM, 2-Way, N.C., 1/2 NPT Block Ports, 1/4 NPT Pilot Port	178248	178942	Valve, 1/2 inch GEN 2 SPM, 2-Way, N.C., 1/2 NPT Block Ports, 1/4 NPT Pilot Port	29087	29087 RK
2.4	Cartridge, 1/2 inch SPM, N.O., 1/4 BSPP Pilot Port	28394	28394 RK	Cartridge, 1/2 inch GEN 2 SPM, N.C. and N.O., 1/4 BSPP Pilot Port	29076-1	29076-1 RK
2.5	Cartridge, 1/2 inch SPM, N.C., 1/4 BSPP Pilot Port	28396	28396 RK	Cartridge, 1/2 inch GEN 2 SPM, N.C. and N.O., 1/4 BSPP Pilot Port	29076-1	29076-1 RK
2.6	Cartridge, 1/2 inch SPM, N.C., 1/4 SAE Pilot Port	179213	179214	Cartridge, 1/2 inch GEN 2 SPM, N.C. and N.O., 1/4 SAE Pilot Port	29076-2	29076-2 RK
2.7	Cartridge, 1/2 inch SPM, N.O., Pneumatic Pilot, 3/4 NPT Pilot Port	27501-2	27501-2 RK	Cartridge, 1/2 inch GEN 2 SPM, N.C. and N.O., Pneumatic Pilot, 3/4 NPT Pilot Port	29080	29080 RK
2.8	Cartridge, 1/2 inch SPM, 2-Way, N.C., 1/4 NPT Pilot Port	179029	179122	Cartridge, 1/2 inch GEN 2 SPM, 2-Way, N.C., 1/4 NPT Pilot Port	29081	29081 RK
2.9	Cartridge, 1/2 inch SPM, 2-Way, N.C., 1/4 BSPP Pilot Port	28508	28508 RK	Cartridge, 1/2 inch GEN 2 SPM, 2-Way, N.C., 1/4 BSPP Pilot Port	29081-1	29081-1 RK
2.10	Cartridge, 1/2 inch SPM, 2-Way, N.O., 1/4 BSPP Pilot Port	28509	28509 RK	Cartridge, 1/2 inch GEN 2 SPM, 2-Way, N.O., 1/4 BSPP Pilot Port	29081-2	29081-2 RK
2.11	Cartridge, 1/2 inch SPM, Low Interflow, N.O., 1/2 NPT Block Ports, 3/8 MP Pilot Port	27165-4	27165-4 RK	Cartridge, 1/2 inch GEN 2 SPM, N.C. and N.O., 3/8 MP Pilot Port	29082	29082 RK
2.12	Cartridge, 1/2 inch SPM, Low Interflow, N.C., 1/2 NPT Block Ports, 3/8 MP Pilot Port	27166-4	27166-4 RK	Cartridge, 1/2 inch GEN 2 SPM, N.C. and N.O., 3/8 MP Pilot Port	29076-3	29076-3 RK



www.Gilmore.com

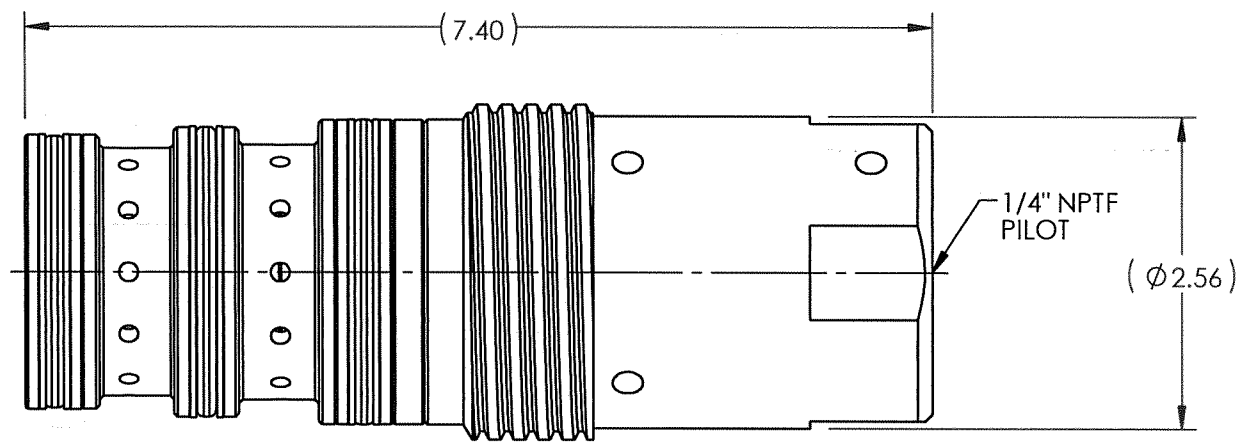
Gilmore will continue supporting all listed legacy valves through repair kits, seal kits and aftermarket support for a minimum of 3 years.

Please contact Gilmore Customer Service to request drawings and quotations for these SPMs at Gilmore@proserv.com.

NOTES:

- 1 MARK COMPONENT WITH ASSEMBLY W.O. NUMBER AS SHOWN ON COMPONENT DRAWING.
- 2 MARKING: MARK AS SHOWN USING LASER ETCH OR COMPUTER CONTROLLED DOT PEEN MARKING MACHINE, .06 HIGH MIN CHARACTERS.
- 3. FOR BOTTOM SEAL REMOVAL USE TOOL ATL 10010-001.
- 4. X, IN COLUMN DEPICTS PARTS IN SEAL KIT 29076 RK
- 5. X, IN COLUMN DEPICTS PARTS IN SEAL KIT 29076 SK
- 6 TORQUE ITEM 8 TO 25 FT-LBS.
- 7 TORQUE ITEM 3 TO 200 FT-LBS, USING TOOL ATL 10110, INTO BLOCK OR MANIFOLD.
- 8 ALL MANUFACTURED ITEMS ARE PASSIVATED.
- 9 ASSEMBLY PROCEDURE: 50286
STANDARD FAT PROCEDURE: 50287
EXTENDED FAT PROCEDURE: 50288
SERVICE MANUAL: 51027

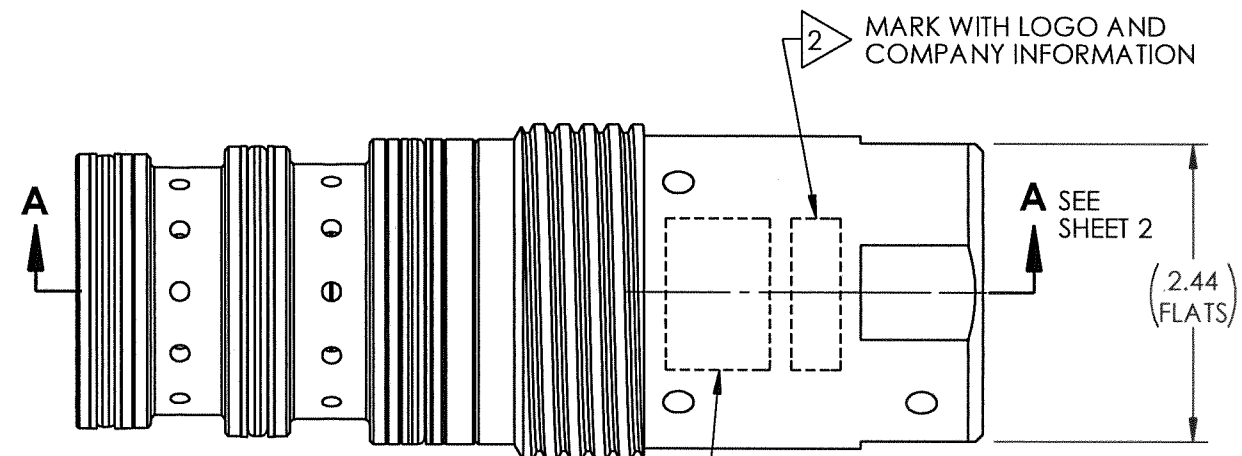
REVISIONS				
REV	ERN /ECO NUMBER	DRAWN	CHECKED	APPROVED
A	ERN 02360	ay 10-29-19	ADP 10/29/19	ADP 10/29/19



PRESSURE DATA
 SUPPLY MAWP: 5,000 PSI
 PILOT MAWP: 5,000 PSI
 AT 5000 PSI SUPPLY RECOMMENDED MINIMUM PILOT PRESSURE: 3,000 PSI
 AT 3000 PSI SUPPLY RECOMMENDED MINIMUM PILOT PRESSURE: 2,000 PSI

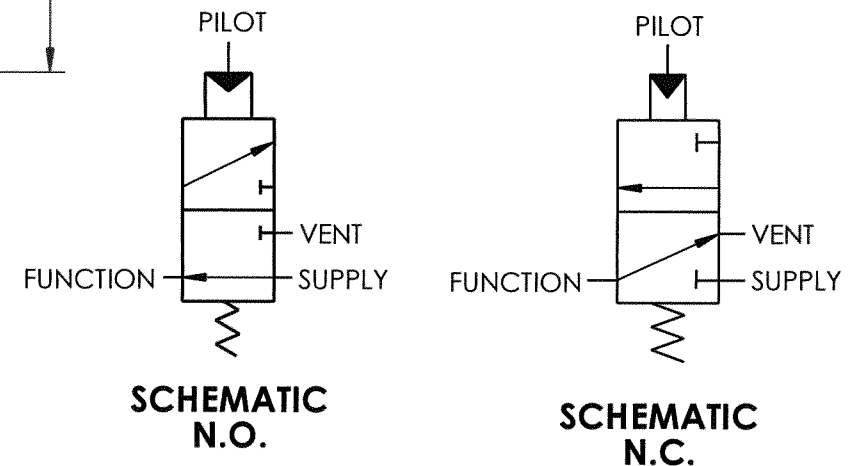
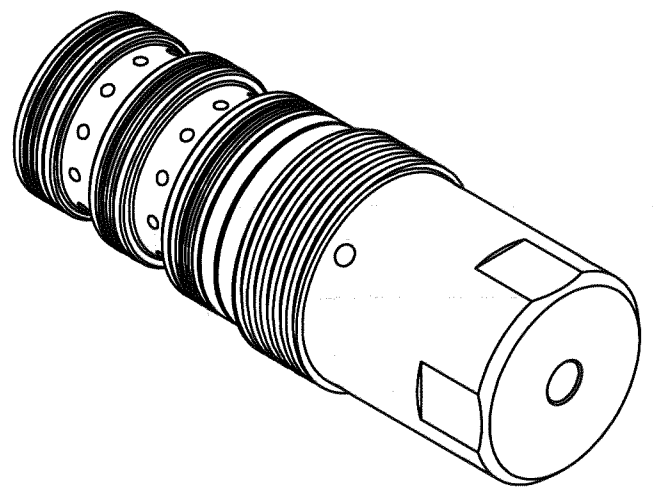
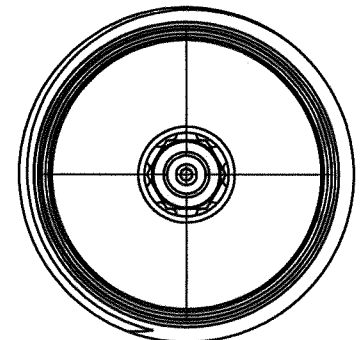
FLOW DATA
 Cv = 3
 MAX FLOW CAPACITY: 75 GPM
 FLUIDS: 1.) WATER BASED DRILLING CONTROL FLUID.
 2.) MINERAL OIL BASED DRILLING CONTROL FLUID.

GENERAL DATA
 TEMPERATURE RANGE: 32°F TO 150°F
 APPROX WEIGHT: 8 LBS
 FIELD SERVICEABLE



27076
 VER (AX VERSION #)
 (SERIAL NUMBER)
 US PATENT NO.
 5,000 PSI
 (DATE OF MFG)
 SEE SHOP TRAVELER
 FOR ADDITIONAL
 INFO REQUIRED

PATENT PENDING



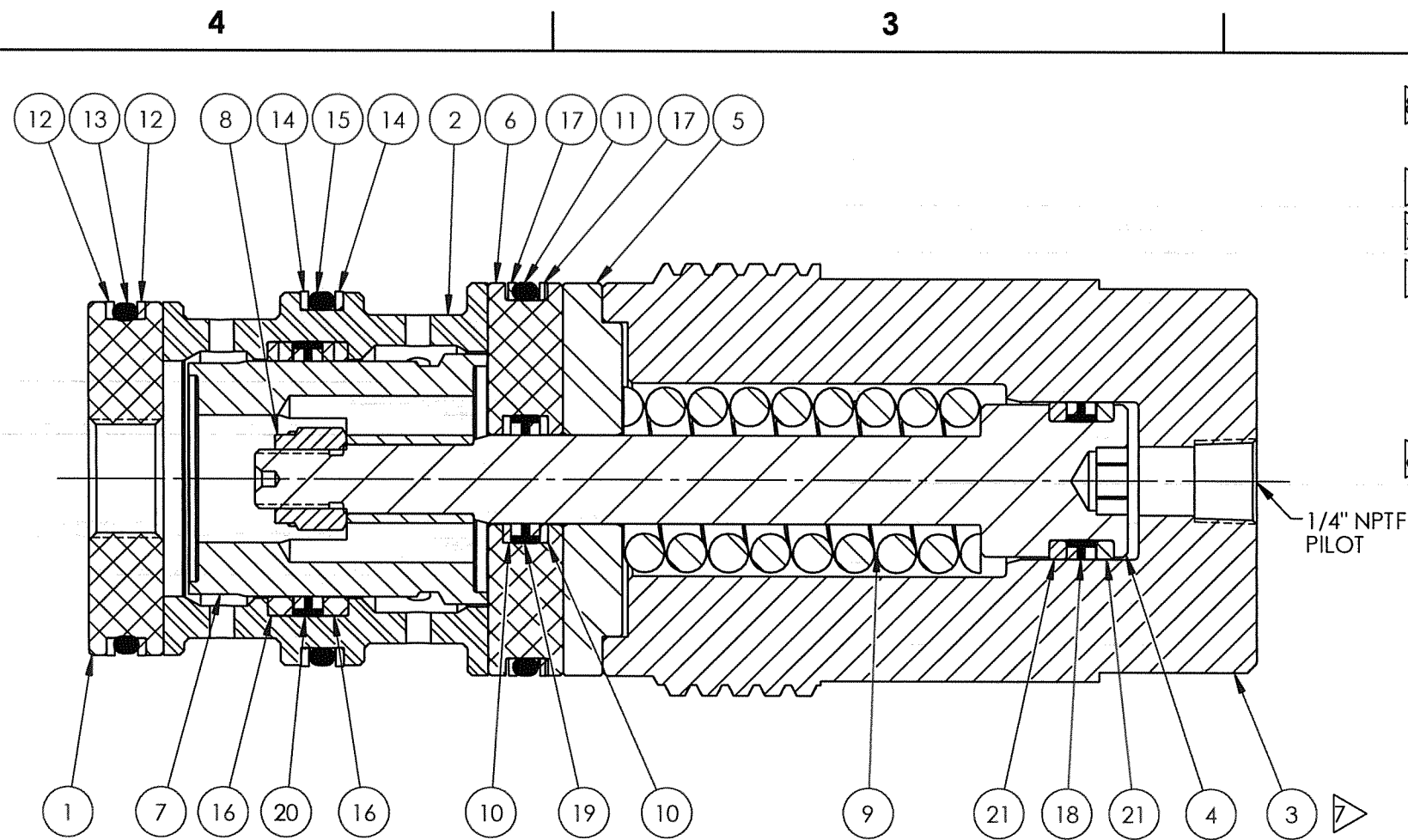
MATERIAL: REFER TO INDV PARTS	DIMENSIONS AND TOLERANCES ARE IN INCHES PER ASME Y14.5M-1994. UNLESS OTHERWISE SPECIFIED: 1) TOLERANCES: .X: ±.1 .XX: ±.01 .XXX: ±.005 ANGLES: ±.5° 2) SURFACE TEXTURE: 63 ✓	APPROVAL DRAWN BY: ay DATE: 10-29-19 CHECKED BY: ADP DATE: 10/29/19 ENGINEER: ADP DATE: 10/29/19 ERN NUMBER: 02360 DATE: 10-21-19	<p>CARTRIDGE, SPM, GEN 2, 1/2" N.C. OR N.O., 5000 PSI SUPPLY, 1/4" NPTF PILOT</p>
CONDITION:	3) CORADIAL FEATURES SHALL BE WITHIN .010 4) BREAK SHARP EDGES .010 5) INTERNAL RADII SHALL BE .016 MAX 6) DRILL POINTS OPTIONAL WHEN SHOWN UNSPECIFIED, ALL DRILL POINT ANGLES SHALL BE BETWEEN 90°-140°	THE INFORMATION CONTAINED IN THIS DRAWING IS THE SOLE PROPERTY OF GILMORE VALVE CO UNLESS OTHERWISE STATED. ANY REPRODUCTION IN PART OR WHOLE WITHOUT THE WRITTEN PERMISSION OF GILMORE VALVE CO IS PROHIBITED.	

B

B

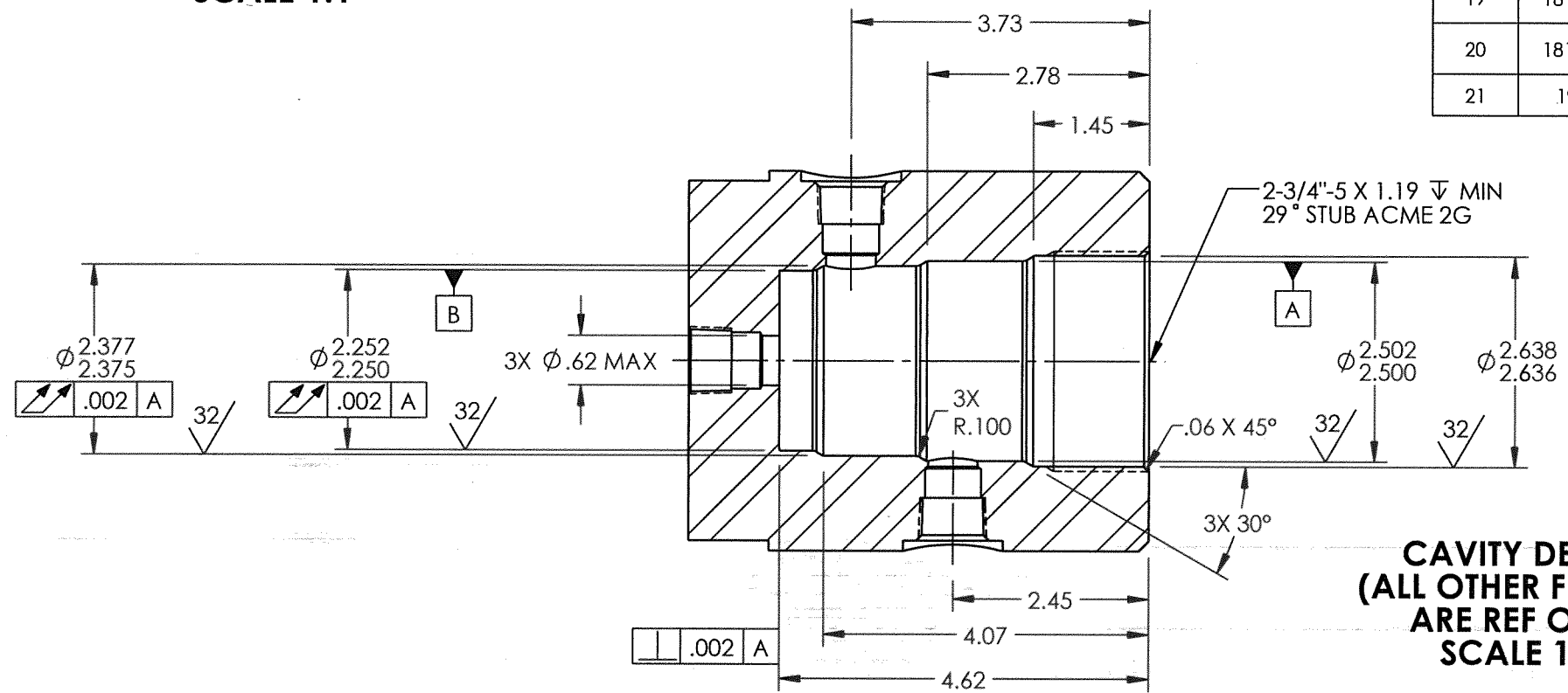
A

A



**SECTION A-A
SCALE 1:1**

BILL OF MATERIALS						
ITEM NO	PART NUMBER	DESCRIPTION	MATERIAL	QTY	RK	SK
1	186556	SEAT, BOTTOM, 1/2"	DELRIN 511P	1	X	X
2	186164	SPACER	A276 TP S21800 (NITRONIC 60)	1		
3	187520	SPRING HOUSING	A274 TP S21800 (NITRONIC 60)	1		
4	182840	PISTON ROD, SHOULDERED, NUT	A276 TYP S20910 (NITRONIC 50)	1		
5	186359	BUSHING	ASTM B169 C61400 (ALUMINUM BRONZE)	1		
6	186367	SEAT, TOP, 1/2"	DELRIN 511P	1	X	X
7	183065	SEAL SLEEVE	A276 TP S21800 (NITRONIC 60)	1	X	
8	21112-005	HEX LOCK NUT, NYLON	F594 ALLOY GR 2, NYLON (316 SS)	1	X	X
9	27177	SPRING, COMPRESSION, 1/2"	A313 TP 316	1		
10	18110-207P	BACKUP-RING	PEEK	2	X	X
11	18100-101K1	O-RING	HNBR	1	X	X
12	18110-226P	BACKUP-RING	PEEK	2	X	X
13	18100-102K1	O-RING	HNBR	1	X	X
14	18110-216T	BACKUP RING	TEFLON	2	X	X
15	18100-147K1	O-RING	HNBR	1	X	X
16	27181	WEARBAND	DELRIN AF	2	X	X
17	18110-228P	BACKUP-RING	PEEK	2	X	X
18	18108-011	T-SEAL, PISTON	CARBOXYLATED NITRILE / NYLATRON	1	X	X
19	18108-507	T-SEAL, ROD	CARBOXYLATED NITRILE / NYLATRON	1	X	X
20	18108-522	T-SEAL, ROD	CARBOXYLATED NITRILE / NYLATRON	1	X	X
21	193065	WEAR BAND, PISTON, 1/2"	DELRIN AF	2	X	X



**CAVITY DETAILS
(ALL OTHER FEATURES
ARE REF ONLY)
SCALE 1:2**

SIZE B	DWG NO 29076	REV A
SCALE 1:4	SolidWorks	SHEET 2 OF 2

NOTES:

- 1 MARK COMPONENT WITH ASSEMBLY W.O. NUMBER AS SHOWN ON COMPONENT DRAWING.
- 2 MARKING: MARK AS SHOWN USING LASER ETCH OR COMPUTER CONTROLLED DOT PEEN MARKING MACHINE, .06 HIGH MIN CHARACTERS.
3. FOR BOTTOM SEAL REMOVAL USE TOOL ATL 10010-001.
- 4 TORQUE CARTRIDGE TO 200 FT-LBS IN MANIFOLD BLOCK USING SPECIAL TOOL ATL 10110.
5. FOR REPAIR KIT USE 29076 RK
6. FOR SEAL KIT USE 29076 SK
- 7 ASSEMBLY PROCEDURE: 50286
STANDARD FAT PROCEDURE: 50287
EXTENDED FAT PROCEDURE: 50288
SERVICE MANUAL: 51027

REVISIONS

REV	ERN /ECO NUMBER	DRAWN	CHECKED	APPROVED
B	ECO 017493	cmj 11-6-19	AJP 11/6/19	AJP 11/6/19

PRESSURE DATA

SUPPLY MAWP:	5,000 PSI
PILOT MAWP:	5,000 PSI
AT 5000 PSI SUPPLY RECOMMENDED	
MINIMUM PILOT PRESSURE:	3,000 PSI
AT 3000 PSI SUPPLY RECOMMENDED	
MINIMUM PILOT PRESSURE:	2,000 PSI

FLOW DATA

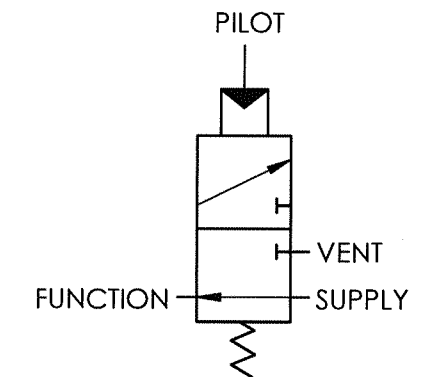
Cv = 3
 MAX FLOW CAPACITY: 75 GPM
 FLUIDS: 1.) WATER BASED DRILLING CONTROL FLUID.
 2.) MINERAL OIL BASED DRILLING CONTROL FLUID.

PORTS

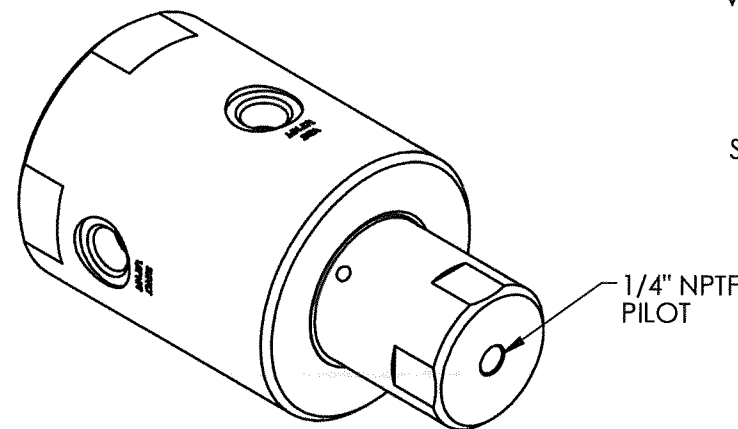
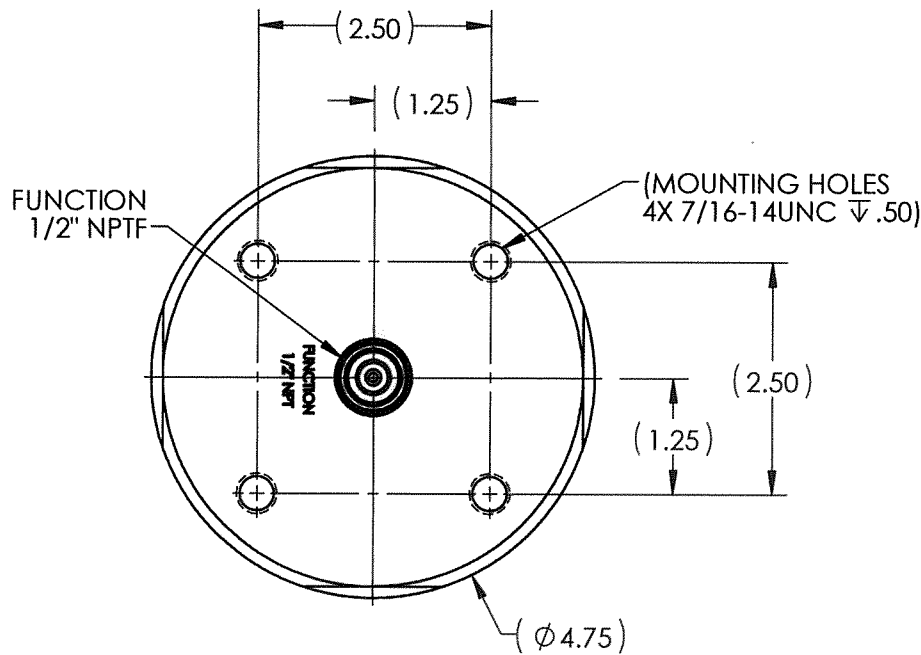
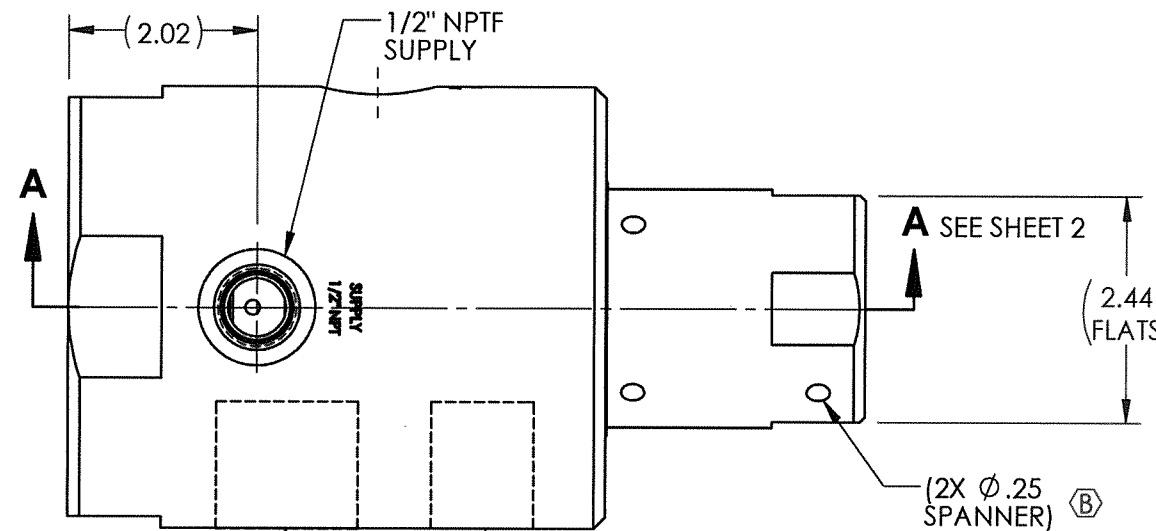
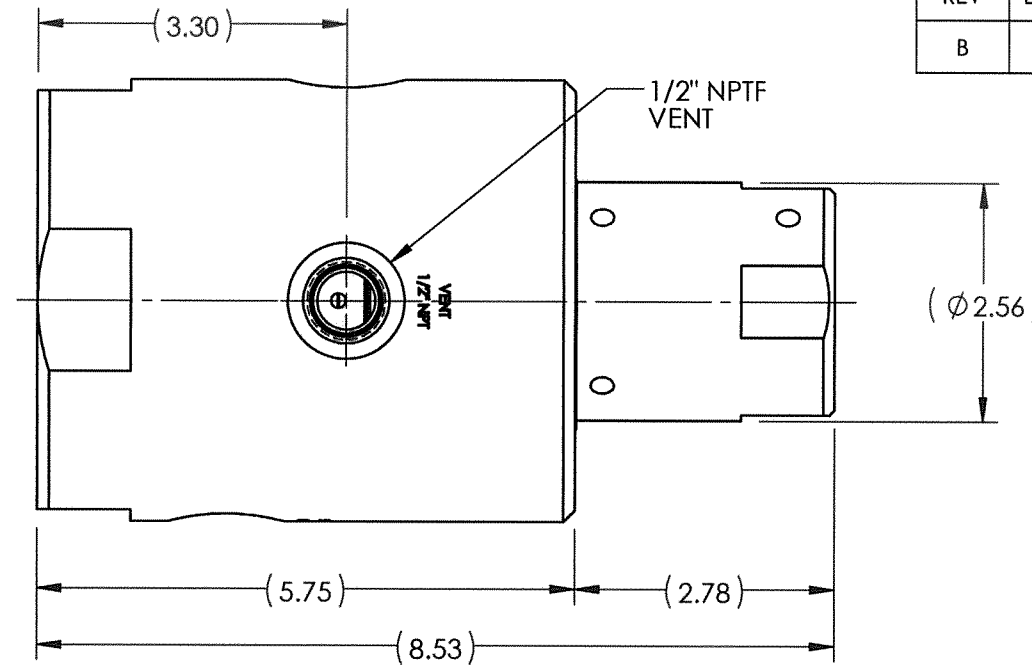
SUPPLY:	1/2" NPTF
FUNCTION:	1/2" NPTF
VENT:	1/2" NPTF
PILOT:	1/4" NPTF

GENERAL DATA

TEMPERATURE RANGE: 32°F TO 150°F
 APPROX WEIGHT: 30 LBS
 FIELD SERVICEABLE



SCHEMATIC N.O.



29078
 VER (AX VERSION #)
 (SERIAL NUMBER)
 US PATENT NO.
 5,000 PSI
 (DATE OF MFG)
 SEE SHOP TRAVELER
 FOR ADDITIONAL
 INFO REQUIRED

2 MARK WITH LOGO AND COMPANY INFORMATION

PATENT PENDING

MATERIAL: SEE INDIV. BOM ITEM	CONDITION:	TREATMENT:	PROCEDURE NUMBER:	DIMENSIONS AND TOLERANCES ARE IN INCHES PER ASME Y14.5M-1994. UNLESS OTHERWISE SPECIFIED:		APPROVAL	
				1) TOLERANCES: .X: ±.1 .XX: ±.01 .XXX: ±.005 ANGLES: ±.5°	2) SURFACE TEXTURE: 63	3) CORADIAL FEATURES SHALL BE WITHIN .010	4) BREAK SHARP EDGES .010
				ENGINEER AJP	DATE 10-29-19	ERIN NUMBER 02360	DATE 10-21-19
THE INFORMATION CONTAINED IN THIS DRAWING IS THE SOLE PROPERTY OF GILMORE VALVE CO UNLESS OTHERWISE STATED. ANY REPRODUCTION IN PART OR WHOLE WITHOUT THE WRITTEN PERMISSION OF GILMORE VALVE CO IS PROHIBITED.							

Gilmore ENGINEERING
a proserv company

VALVE, 1/2", GEN 2 SPM, N.O., 1/2" NPTF BLOCK PORTS, 1/4" NPTF PILOT PORT

SIZE B	DWG NO 29078	REV B
SCALE 1:2	SolidWorks	SHEET 1 OF 2

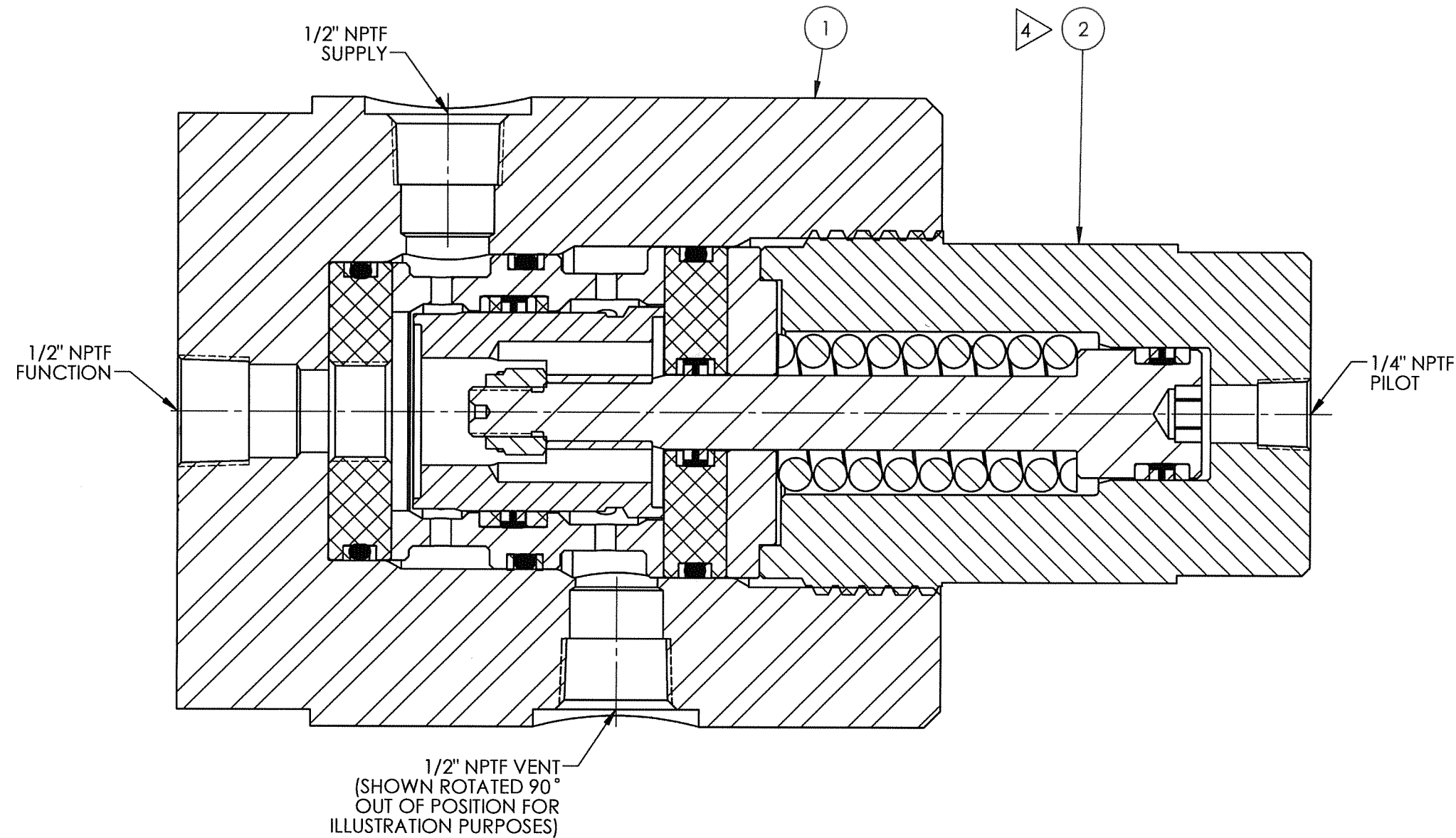
4

3

2

1

BILL OF MATERIALS						
ITEM NO	PART NUMBER	DESCRIPTION	MATERIAL	QTY	RK	SK
1	27394-1	BLOCK, 1/2 SPM, N.O., 6,000 PSI	A276 TP316	1		
2	29076	CARTRIDGE, SPM, GEN 2, 1/2" N.C. OR N.O., 5000 PSI SUPPLY, 1/4" NPTF PILOT	REFER TO INDV PARTS	1	X	X




B

B

A

A

SECTION A-A
SCALE 1:1

proserv 		
SIZE B	DWG NO 29078	REV B
SCALE 1:2	SolidWorks	SHEET 2 OF 2

4

3

2

1

NOTES:

- 1 MARK COMPONENT WITH ASSEMBLY W.O. NUMBER AS SHOWN ON COMPONENT DRAWING.
- 2 MARKING: MARK AS SHOWN USING LASER ETCH OR COMPUTER CONTROLLED DOT PEEN MARKING MACHINE, .06 HIGH MIN CHARACTERS.
3. FOR BOTTOM SEAL REMOVAL USE TOOL ATL 10010-001.
- 4 TORQUE CARTRIDGE TO 200 FT-LBS IN MANIFOLD BLOCK USING SPECIAL TOOL ATL 10110.
5. FOR REPAIR KIT USE 29077 RK
6. FOR SEAL KIT USE 29077 SK
- 7 ASSEMBLY PROCEDURE: 50286
STANDARD FAT PROCEDURE: 50287
EXTENDED FAT PROCEDURE: 50288
SERVICE MANUAL: 51027

REVISIONS

REV	ERN /ECO NUMBER	DRAWN	CHECKED	APPROVED
B	ECO 017493	CMY 11-6-19	AJP 11/6/19	AJP 11/6/19

PRESSURE DATA

SUPPLY MAWP:	5,000 PSI
PILOT MAWP:	5,000 PSI
AT 5000 PSI SUPPLY RECOMMENDED	
MINIMUM PILOT PRESSURE:	3,000 PSI
AT 3000 PSI SUPPLY RECOMMENDED	
MINIMUM PILOT PRESSURE:	2,000 PSI

FLOW DATA

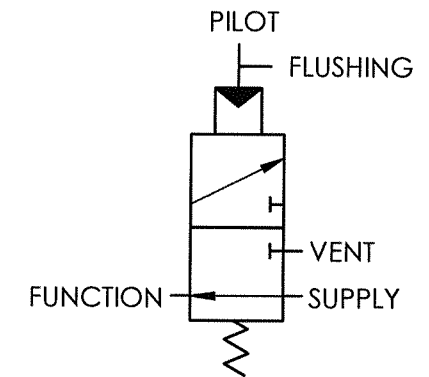
Cv = 3
 MAX FLOW CAPACITY: 75 GPM
 FLUIDS: 1.) WATER BASED DRILLING CONTROL FLUID.
 2.) MINERAL OIL BASED DRILLING CONTROL FLUID.

PORTS

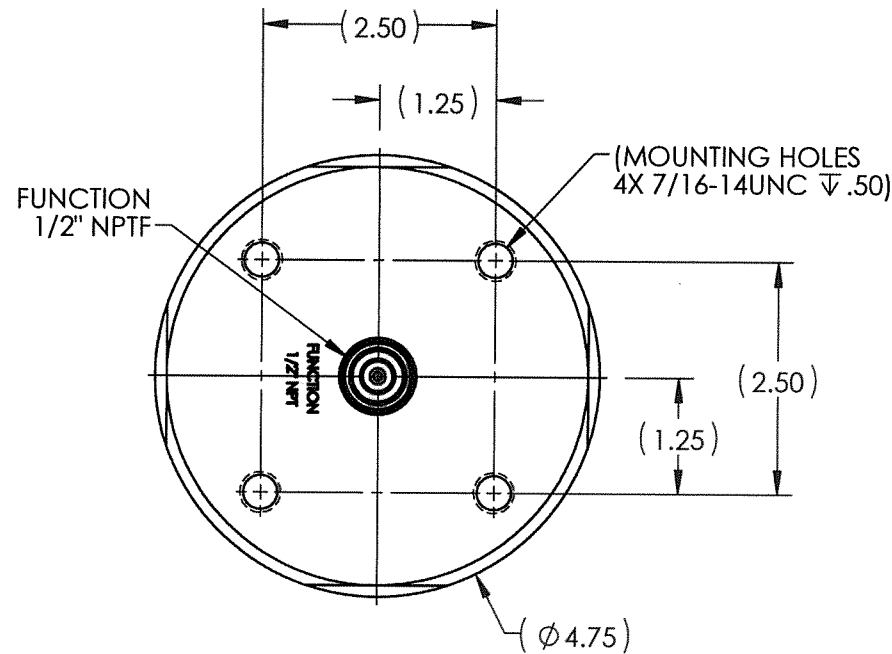
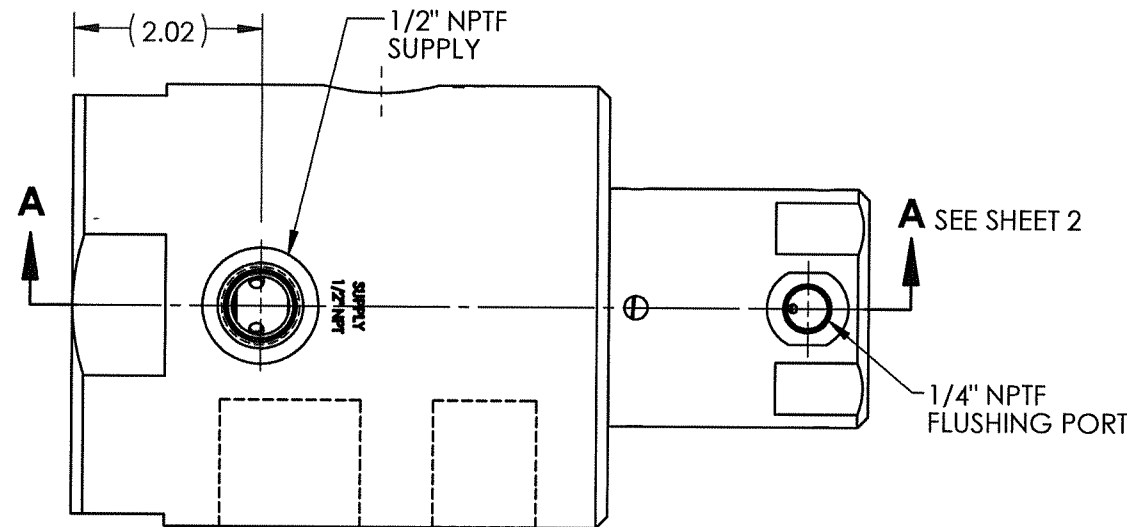
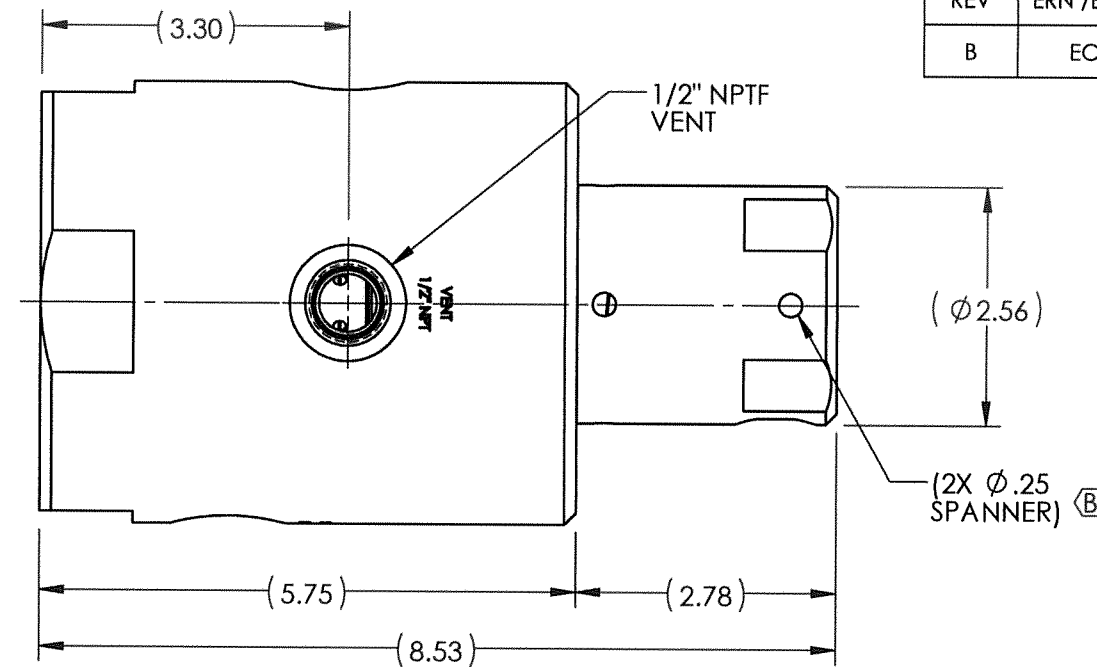
SUPPLY:	1/2" NPTF
FUNCTION:	1/2" NPTF
VENT:	1/2" NPTF
PILOT:	1/4" NPTF
FLUSHING:	1/4" NPTF

GENERAL DATA

TEMPERATURE RANGE: 32°F TO 150°F
 APPROX WEIGHT: 30 LBS
 FIELD SERVICEABLE



SCHEMATIC N.O.



29085
 VER (AX VERSION #)
 (SERIAL NUMBER)
 US PATENT NO.
 5,000 PSI
 (DATE OF MFG)
 SEE SHOP TRAVELER
 FOR ADDITIONAL
 INFO REQUIRED

2 MARK WITH LOGO AND COMPANY INFORMATION

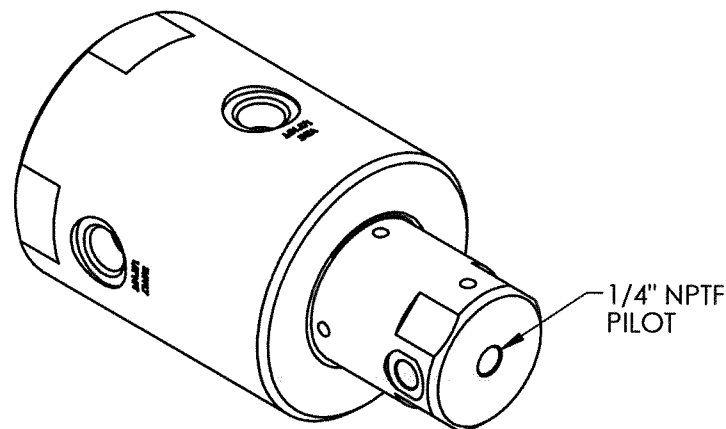
PATENT PENDING

MATERIAL: SEE INDIV. BOM ITEM	CONDITION:	TREATMENT:	PROCEDURE NUMBER:	DIMENSIONS AND TOLERANCES ARE IN INCHES PER ASME Y14.5M-1994. UNLESS OTHERWISE SPECIFIED:		APPROVAL	
				1) TOLERANCES: .X: ±.1 .XX: ±.01 .XXX: ±.005 ANGLES: ±.5°	2) SURFACE TEXTURE: 63	3) CORADIAL FEATURES SHALL BE WITHIN .010	4) BREAK SHARP EDGES .010
						ENGINEER AJP	DATE 10-29-19
						ERN NUMBER 02360	DATE 10-21-19
THE INFORMATION CONTAINED IN THIS DRAWING IS THE SOLE PROPERTY OF GILMORE VALVE CO UNLESS OTHERWISE STATED. ANY REPRODUCTION IN PART OR WHOLE WITHOUT THE WRITTEN PERMISSION OF GILMORE VALVE CO IS PROHIBITED.							

Gilmore ENGINEERING
a precision company

VALVE, 1/2", GEN 2 SPM, N.O., 1/2" NPTF BLOCK PORTS, 1/4" NPTF PILOT PORT AND FLUSHING PORT

SIZE B	DWG NO 29085	REV B
SCALE 1:2	SolidWorks	SHEET 1 OF 2



1/4" NPTF PILOT

4

3

2

1

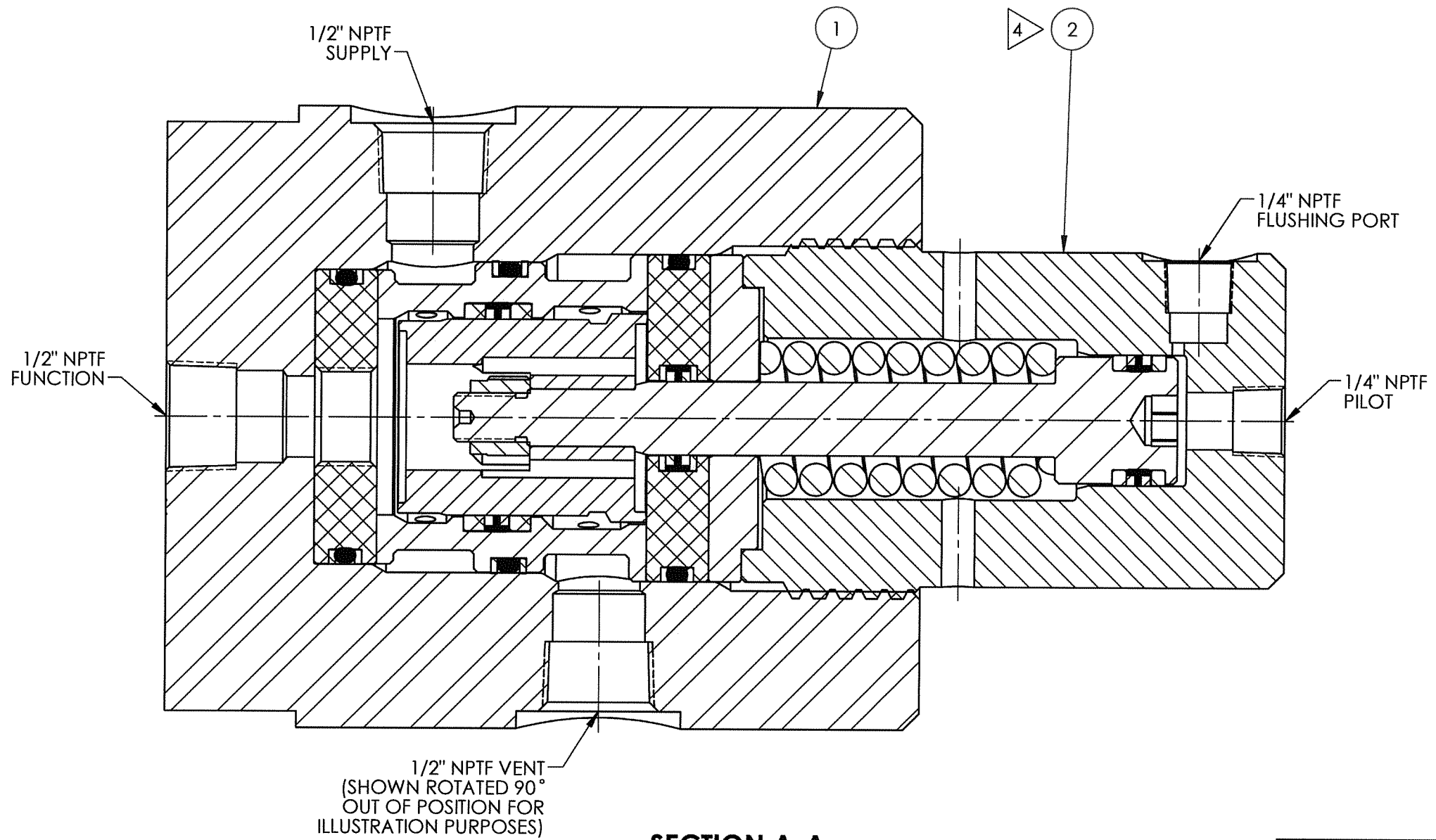
BILL OF MATERIALS

ITEM NO	PART NUMBER	DESCRIPTION	MATERIAL	QTY	RK	SK
1	27394-1	BLOCK, 1/2 SPM, N.O., 6,000 PSI	A276-TP316	1		
2	29077	CARTRIDGE, SPM, GEN 2, 1/2" N.C. OR N.O., 5000 PSI SUPPLY 1/4" NPTF PILOT AND FLUSHING PORT	REFER TO INDV PARTS	1	X	X



B

B



A

A

SECTION A-A
SCALE 1 : 1

proserv | **Gilmore**

SIZE B	DWG NO 29085	REV B
SCALE 1:2	SolidWorks	SHEET 2 OF 2

4

3

2

1