

Product Information Bulletin

3/4" GEN 2 Relief Valve Product Line

REV	DATE	DESCRIPTION	ORIGIN (issued by)	APPROVED
002	10-30-2019	Document No: 110-082219-002	AP	SS
001	08-22-2019	Document No: 110-082219-001	AP	SS

COMPANY PROPRIETARY INFORMATION

© 2014 Proserv. All Rights Reserved. This document contains confidential & proprietary information of Proserv. It is not to be in whole or in part, used, reproduced, disclosed, in any way made public or is it to be used for any purpose other than for which it was issued without express permission of Proserv. Proserv shall not be liable for any compensation, claims or damages resulting from any unauthorised use of this document or any information contained herein & you agree to defend & hold Proserv harmless with respect to any such compensation, claims or damages. This document & all information & data contained herein are subject to return upon demand. Legal action may follow any breach of this Copyright.

For more information:
Gilmore@proserv.com

Gilmore
 1231 Lumpkin Road
 Houston, TX 77043

3/4" GEN 2 Relief Valve Product Line



Gilmore announces the new GEN 2 Relief Valve product line for critical offshore and subsea applications. The GEN 2 Relief Valve has been redesigned with significant improvements, within the same footprint as the legacy Gilmore Relief Valve. Gilmore's proprietary hydro-seal technology provides an order of magnitude improvement in endurance cycle life for improved reliability.

Features and Benefits:

- Qualified to API 16D requirements
- Proprietary bi-directional Tungsten Carbide metal seal technology ensures seal integrity and prevents back pressure surge failures
- Suitable for panel mounting
- Improved materials for subsea use:
 - Tungsten Carbide (10% Ni) Hydro-Seals
 - Inconel X750 Springs
 - Nitronic 60 Seal Carrier
 - 17-4 PH H1150DA Body
 - PEEK / HNBR Soft Seals
 - 316ss Flange
 - A286 Gr 660 Cap Screws
- Patent Pending
- Wide variety of set point ranges and vent port configurations
- Wide variety of port styles to select from
- Optional inlet check valve and in-situ SAE test port
- **Drop-in replacement for legacy Gilmore relief valves**

Figure 1. PN 29101-4: GEN 2 Relief Valve, 3/4" SAE, Single Vent, Set Point Range 1801 – 3900 psi

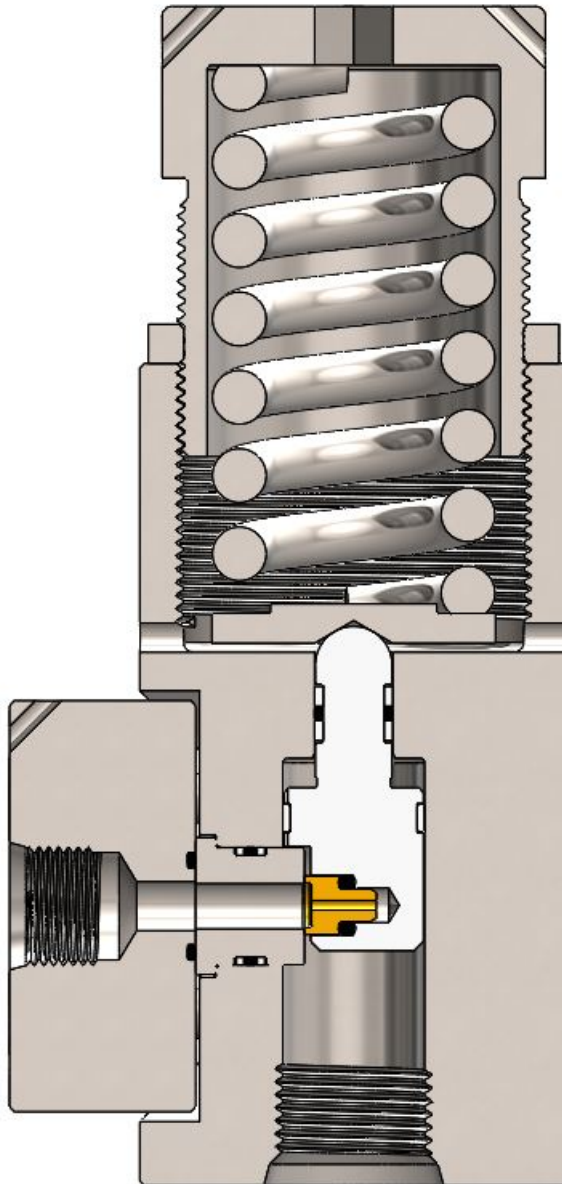


Figure 2. PN 29104-5: GEN 2 Relief Valve, 3/4" SAE, Dual Vent, Set Point Range 3,901 – 5,500 psi

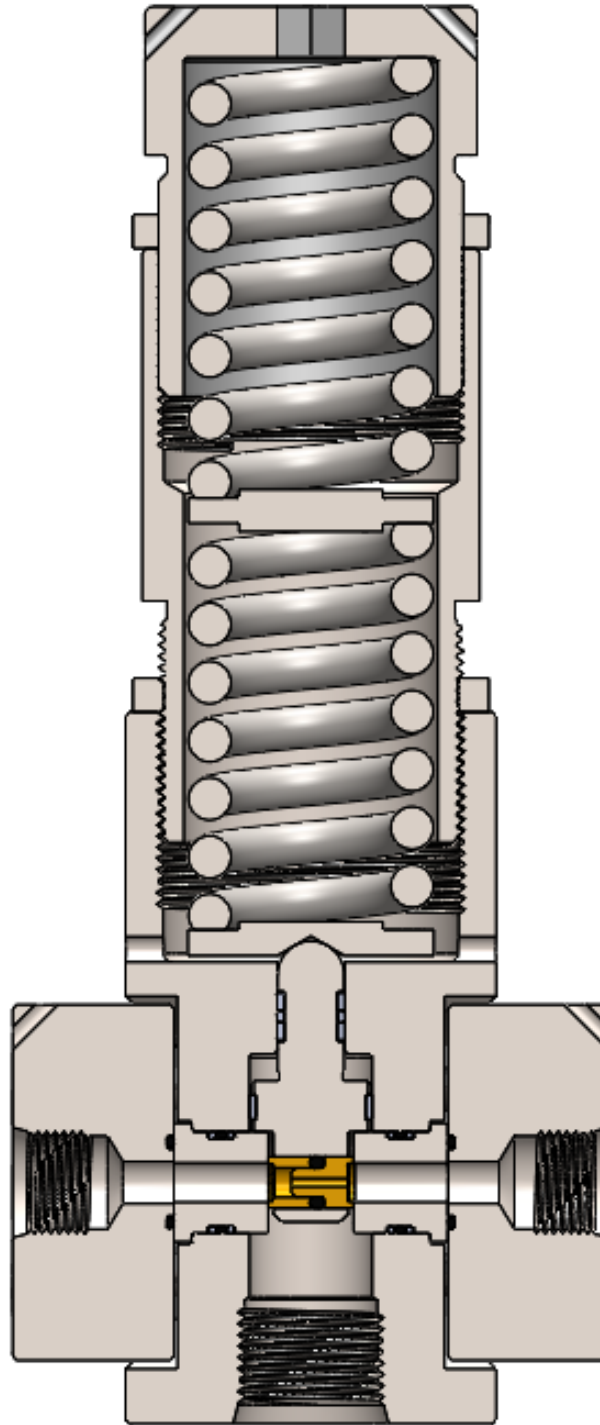
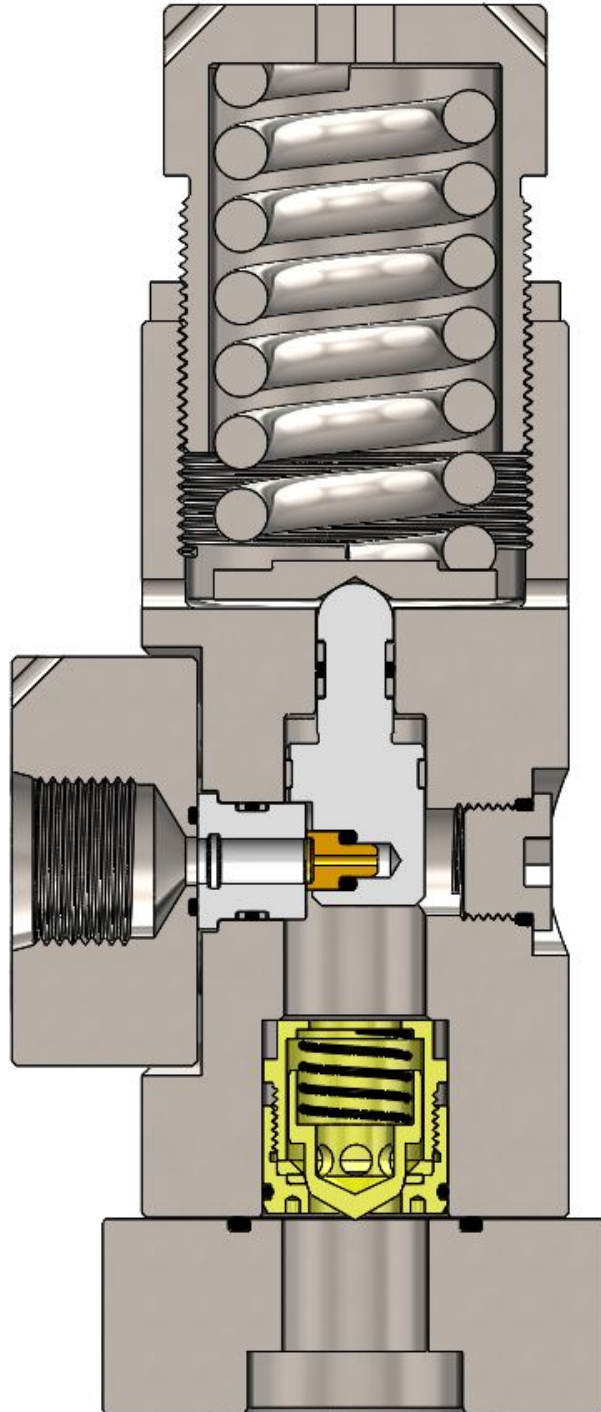


Figure 3. PN 29106-5 New 1" Code 62 x 3/4" SAE, Single Vent, 1/2" SAE In-Situ Test Port, Set Point Range 3,901 – 5500 psi



Gilmore's GEN 2 Relief Valve designs meet API 16D requirements by successfully qualifying to 1000 pressure relieving cycles, across their range of set-points and configurations at 15% over pressurization.

A pressure – flow curve is available for each GEN 2 relief valve part number.

The new GEN 2 Relief Valve has an identical footprint to the legacy valves and are available with the same set points as the legacy valve.

As a result of the new Gilmore GEN 2 Relief Valve product line being available now, we are providing a cross reference between the new improved GEN 2 part number and the existing legacy part number in the tables that follow below:

Table 1. Legacy and GEN 2, 3/4" NPT x 3/4" NPT, Single Vent, 6 KSI MAWP Part Number Cross References:

Item	Legacy Description (For Topside Applications)	Legacy Valve PN	Legacy Repair Kit PN	GEN 2 Valve Description (For Subsea and Topside Applications)	GEN 2 Valve PN	GEN 2 Repair Kit PN
1.1	Valve, Relief, 3/4 NPT x 3/4 NPT, Single Vent, Set Point Range 150 to 500 psi	22511-6 25163-6 25327-1 25329-6	22511-6 RK 25163-6 RK 25327-1 RK 25329-6 RK	Valve, Relief, GEN 2, 3/4" NPT x 3/4" NPT, Single Vent, Set Point Range 150 to 500 psi	29100-1	29100-1 RK
1.2	Valve, Relief, 3/4 NPT x 3/4 NPT, Single Vent, Set Point Range 500 to 1250 psi	22511-1 25163-1 25317-1 25318-1 25329-1	22511-1 RK 25163-1 RK 25317-1 RK 25318-1 RK 25329-1 RK	Valve, Relief, GEN 2, 3/4" NPT x 3/4" NPT, Single Vent, Set Point Range 501 to 1200 psi	29100-2	29100-2 RK
1.3	Valve, Relief, 3/4 NPT x 3/4 NPT, Single Vent, Set Point Range 1250 to 1850 psi	22511-2 25163-2 25317-2 25318-2 25329-2	22511-2 RK 25163-2 RK 25317-2 RK 25318-2 RK 25329-2 RK	Valve, Relief, GEN 2, 3/4" NPT x 3/4" NPT, Single Vent, Set Point Range 1201 to 1800 psi	29100-3	29100-3 RK
1.4	Valve, Relief, 3/4 NPT x 3/4 NPT, Single Vent, Set Point Range 1850 to 4500 psi	22511-3 25163-3 25317-3 25318-3 25329-3	22511-3 RK 25163-3 RK 25317-3 RK 25318-3 RK 25329-3 RK	Valve, Relief, GEN 2, 3/4" NPT x 3/4" NPT, Single Vent, Set Point Range 1801 to 3900 psi	29100-4	29100-4 RK
1.5	Valve, Relief, 3/4 NPT x 3/4 NPT, Single Vent, Set Point Range 4500 to 5000 psi	22511-4 25163-4 25317-4 25318-4 25329-4	22511-4 RK 25163-4 RK 25317-4 RK 25318-4 RK 25329-4 RK	Valve, Relief, GEN 2, 3/4" NPT x 3/4" NPT, Single Vent, Set Point Range 3901 to 5500 psi	29100-5	29100-5 RK
1.6	Valve, Relief, 3/4 NPT x 3/4 NPT, Single Vent, Set Point Range 5000 to 6000 psi	22511-5 25163-5 25317-5 25318-5 25889-5 25329-5	22511-5 RK 25163-5 RK 25317-5 RK 25318-5 RK 25889-5 RK 25329-5 RK	Valve, Relief, GEN 2, 3/4" NPT x 3/4" NPT, Single Vent, Set Point Range 5501 to 6600 psi	29100-6	29100-6 RK
1.7	Valve, Relief, 3/4 NPT x 3/4 NPT, Single Vent, Set Point Range 5800 to 6600 psi	25307-1	25307-1 RK	Valve, Relief, GEN 2, 3/4" NPT x 3/4" NPT, Single Vent, Set Point Range 5501 to 6600 psi	29100-6	29100-6 RK

Table 2. Legacy and GEN 2, 3/4" SAE x 3/4" SAE, Single Vent, 6 KSI MAWP Part Number Cross References:

Item	Legacy Description (For Topside Applications)	Legacy Valve PN	Legacy Repair Kit PN	GEN 2 Valve Description (For Subsea and Topside Applications)	GEN 2 Valve PN	GEN 2 Repair Kit PN
2.1	Valve, Relief, 3/4 SAE x 3/4 SAE, Single Vent, Set Point Range 150 to 500 psi	25339-6	25339-6 RK	Valve, Relief, GEN 2, 3/4" SAE x 3/4" SAE, Single Vent, Set Point Range 150 to 500 psi	29101-1	29101-1 RK
2.2	Valve, Relief, 3/4 SAE x 3/4 SAE, Single Vent, Set Point Range 500 to 1250 psi	25339-1	25339-1 RK	Valve, Relief, GEN 2, 3/4" SAE x 3/4" SAE, Single Vent, Set Point Range 501 to 1200 psi	29101-2	29101-2 RK
2.3	Valve, Relief, 3/4 SAE x 3/4 SAE, Single Vent, Set Point Range 1250 to 1850 psi	25339-2	25339-2 RK	Valve, Relief, GEN 2, 3/4" SAE x 3/4" SAE, Single Vent, Set Point Range 1201 to 1800 psi	29101-3	29101-3 RK
2.4	Valve, Relief, 3/4 SAE x 3/4 SAE, Single Vent, Set Point Range 1850 to 4500 psi	25339-3	25339-3 RK	Valve, Relief, GEN 2, 3/4" SAE x 3/4" SAE, Single Vent, Set Point Range 1801 to 3900 psi	29101-4	29101-4 RK
2.5	Valve, Relief, 3/4 SAE x 3/4 SAE, Single Vent, Set Point Range 4500 to 5000 psi	25339-4	25339-4 RK	Valve, Relief, GEN 2, 3/4" SAE x 3/4" SAE, Single Vent, Set Point Range 3901 to 5500 psi	29101-5	29101-5 RK
2.6	Valve, Relief, 3/4 SAE x 3/4 SAE, Single Vent, Set Point Range 5000 to 6000 psi	25339-5	25339-5 RK	Valve, Relief, GEN 2, 3/4" SAE x 3/4" SAE, Single Vent, Set Point Range 5501 to 6600 psi	29101-6	29101-6 RK

Table 3. Legacy and GEN 2, 3/4" SAE x 1/2" SAE, Single Vent, 6 KSI MAWP Part Number Cross References:

Item	Legacy Description (For Topside Applications)	Legacy Valve PN	Legacy Repair Kit PN	GEN 2 Valve Description (For Subsea and Topside Applications)	GEN 2 Valve PN	GEN 2 Repair Kit PN
3.1	Valve, Relief, 3/4 SAE x 1/2 SAE, Single Vent, Set Point Range 150 to 500 psi	25331-6	25331-6 RK	Valve, Relief, GEN 2, 3/4" SAE x 1/2" SAE, Single Vent, Set Point Range 150 to 500 psi	29102-1	29102-1 RK
3.2	Valve, Relief, 3/4 SAE x 1/2 SAE, Single Vent, Set Point Range 500 to 1250 psi	25331-1	25331-1 RK	Valve, Relief, GEN 2, 3/4" SAE x 1/2" SAE, Single Vent, Set Point Range 501 to 1200 psi	29102-2	29102-2 RK
3.3	Valve, Relief, 3/4 SAE x 1/2 SAE, Single Vent, Set Point Range 1250 to 1850 psi	25331-2	25331-2 RK	Valve, Relief, GEN 2, 3/4" SAE x 1/2" SAE, Single Vent, Set Point Range 1201 to 1800 psi	29102-3	29102-3 RK
3.4	Valve, Relief, 3/4 SAE x 1/2 SAE, Single Vent, Set Point Range 1850 to 4500 psi	25331-3	25331-3 RK	Valve, Relief, GEN 2, 3/4" SAE x 1/2" SAE, Single Vent, Set Point Range 1801 to 3900 psi	29102-4	29102-4 RK
3.5	Valve, Relief, 3/4 SAE x 1/2 SAE, Single Vent, Set Point Range 4500 to 5000 psi	25331-4	25331-4 RK	Valve, Relief, GEN 2, 3/4" SAE x 1/2" SAE, Single Vent, Set Point Range 3901 to 5500 psi	29102-5	29102-5 RK
3.6	Valve, Relief, 3/4 SAE x 1/2 SAE, Single Vent, Set Point Range 5000 to 6000 psi	25331-5	25331-5 RK	Valve, Relief, GEN 2, 3/4" SAE x 1/2" SAE, Single Vent, Set Point Range 5501 to 6600 psi	29102-6	29102-6 RK
3.7	Valve, Relief, 3/4 SAE x 1/2 SAE, Single Vent, Set Point Range 3000 to 5500 psi	28210	28210 RK	Valve, Relief, GEN 2, 3/4" SAE x 1/2" SAE, Single Vent, Set Point Range 3901 to 5500 psi	29102-5	29102-5 RK

Table 4. Legacy and GEN 2, 3/4" NPT x 3/4" NPT, Dual Vent, 6 KSI MAWP Part Number Cross References:

Item	Legacy Description (For Topside Applications)	Legacy Valve PN	Legacy Repair Kit PN	GEN 2 Valve Description (For Subsea and Topside Applications)	GEN 2 Valve PN	GEN 2 Repair Kit PN
4.1	Valve, Relief, 3/4 NPT x 3/4 NPT, Dual Vent, Set Point Range 1850 to 4500 psi	25165-3 25167-3	25165-3 RK 25167-3 RK	Valve, Relief, GEN 2, 3/4" NPT x 3/4" NPT, Dual Vent, Set Point Range 1801 to 3900 psi	29103-4	29103-4 RK
4.2	Valve, Relief, 3/4 NPT x 3/4 NPT, Dual Vent, Set Point Range 4500 to 6000 psi	25165-5 25164-5 25167-5	25165-5 RK 25164-5 RK 25167-5 RK	Valve, Relief, GEN 2, 3/4" NPT x 3/4" NPT, Dual Vent, Set Point Range 3901 to 5500 psi	29103-5	29103-5 RK

Table 5. Legacy and GEN 2, 3/4" SAE, Dual Vent, 6 KSI MAWP Part Number Cross References:

Item	Legacy Description (For Topside Applications)	Legacy Valve PN	Legacy Repair Kit PN	GEN 2 Valve Description (For Subsea and Topside Applications)	GEN 2 Valve PN	GEN 2 Repair Kit PN
5.1	Valve, Relief, 3/4 SAE x 1/2 SAE, Dual Vent, Set Point Range 1850 to 4500 psi	25166-3 25168-1	25166-3 RK 25168-1 RK	Valve, Relief, GEN 2, 3/4" SAE x 1/2" SAE, Dual Vent, Set Point Range 1801 to 3900 psi	29104-4	29104-4 RK
5.2	Valve, Relief, 3/4 SAE x 1/2 SAE, Dual Vent, Set Point Range 4500 to 6000 psi	25166-5 25168-2	25166-5 RK 25168-2 RK	Valve, Relief, GEN 2, 3/4" SAE x 1/2" SAE, Dual Vent, Set Point Range 3901 to 5500 psi	29104-5	29104-5 RK
5.3	Valve, Relief, 3/4 SAE x 3/4 SAE, Dual Vent, Set Point Range 1850 to 4500 psi	25169-3	25169-3 RK	Valve, Relief, GEN 2, 3/4" SAE x 3/4" SAE, Dual Vent, Set Point Range 1801 to 3900 psi	29107-4	29107-4 RK
5.4	Valve, Relief, 3/4 SAE x 3/4 SAE, Dual Vent, Set Point Range 4500 to 6000 psi	25169-5	25169-5 RK	Valve, Relief, GEN 2, 3/4" SAE x 3/4" SAE, Dual Vent, Set Point Range 3901 to 5500 psi	29107-5	29107-5 RK

Table 6. Legacy and GEN 2, 3/4" NPT x 3/4" NPT, Single Vent, 10 KSI MAWP Part Number Cross References:

Item	Legacy Description (For Topside Applications)	Legacy Valve PN	Legacy Repair Kit PN	GEN 2 Valve Description (For Subsea and Topside Applications)	GEN 2 Valve PN	GEN 2 Repair Kit PN
6.1	Valve, Relief, 3/4 NPT x 3/4 NPT, Single Vent, Set Point Range 4000 to 9500 psi	25311-3	25311-3 RK	Valve, Relief, GEN 2, 3/4" NPT x 3/4" NPT, Single Vent, Set Point Range 6601 to 11000 psi *See Table 1 for 4000 to 6000 psi	29105-7	29105-7 RK
6.2	Valve, Relief, 3/4 NPT x 3/4 NPT, Single Vent, Set Point Range 6600 to 7900 psi	25307-2	25307-2 RK	Valve, Relief, GEN 2, 3/4" NPT x 3/4" NPT, Single Vent, Set Point Range 6601 to 11000 psi	29105-7	29105-7 RK
6.3	Valve, Relief, 3/4 NPT x 3/4 NPT, Single Vent, Set Point Range 9500 to 11600 psi	25311-2 25335-2	25311-2 RK 25335-2 RK	Valve, Relief, GEN 2, 3/4" NPT x 3/4" NPT, Single Vent, Set Point Range 6601 to 11000 psi	29105-7	29105-7 RK
6.4	Valve, Relief, 3/4 NPT x 3/4 NPT, Single Vent, Set Point Range 4000 to 9500 psi	25335-3	25335-3 RK	Valve, Relief, GEN 2, 3/4" NPT x 3/4" NPT, Single Vent, Set Point Range 6601 to 11000 psi *See Table 1 for 4000 to 6000 psi	29105-7	29105-7 RK

Table 7. New 1” Code 62 x 3/4” SAE, Single Vent, 1/2” SAE In-Situ Test Port, 6 KSI MAWP Part Number Cross References:

Item	Legacy Description (For Topside Applications)	Legacy Valve PN	Legacy Repair Kit PN	GEN 2 Valve Description (For Subsea and Topside Applications)	GEN 2 Valve PN	GEN 2 Repair Kit PN
7.1	N/A	N/A	N/A	Valve, Relief, GEN 2, 1” Code 62 x 3/4” SAE, Single Vent, 1/2” SAE In-Situ Test Port, Set Point Range 1801 to 3900 psi	29106-4	29106-4 RK
7.2	N/A	N/A	N/A	Valve, Relief, GEN 2, 1” Code 62 x 3/4” SAE, Single Vent, 1/2” SAE In-Situ Test Port, Set Point Range 3901 to 5500 psi	29106-5	29106-5 RK

If a new Gilmore GEN 2 Relief Valve part number is required, but not listed above, please contact Gilmore Customer Service to request the creation of a new GEN 2 Relief Valve part number. Our Customer Service team is always happy to assist with selecting the GEN 2 replacement valve part number ensuring it meets your application requirements.

Please Note: Gilmore has no plans to obsolete our legacy relief valves listed within this bulletin. Gilmore will continue to support our legacy product line through new valve sales, repair kits, seal kits and aftermarket support. However, Gilmore has redesignated all legacy relief valve part numbers that utilize Chrome-Vanadium die springs to be suitable for top side applications only.

Please contact Gilmore Customer Service to request drawings and quotations for any of our GEN 2 Relief Valves at Gilmore@proserv.com.