

Product Information Bulletin

3/4" GEN 2 V-Seal Shuttle Valve

REV	DATE	DESCRIPTION	ORIGIN (issued by)	APPROVED
001	06-10-20	Document No.: 120-061020-001	AP	BR

COMPANY PROPRIETARY INFORMATION

© 2014 - 2020 Proserv Gilmore Valve, LLC and/or its affiliates (Gilmore). All rights reserved. Proserv®, Gilmore™, Gilmore & Design (Stallion) and Gilmore, a Proserv Company™ are registered trademarks or trademarks of Gilmore. This Bulletin and the information contained herein is not to be, in whole or in part, reproduced or transmitted in any form by any means without the express permission of Gilmore. **DISCLAIMER:** Whilst Gilmore has carefully reviewed the contents of this Bulletin and believes the information to be correct, Gilmore does not assume any liability in connection with any use of or reliance upon this information and gives no representation or warranty, express or implied, in respect of the information or any products described herein. This Bulletin is intended for use by persons having suitable technical expertise and skill, at their own discretion and risk. Gilmore may change the information contained herein at any time without notice.

For more information:

Call (800) 469-8786

Gilmore@proserv.com

Gilmore, A Proserv Company
1231 Lumpkin Road
Houston, TX 77043

3/4" GEN 2 V-Seal Shuttle Valve

Gilmore announces the new 3/4" GEN 2 V-Seal Shuttle Valve product line for critical offshore and subsea applications. The 3/4" GEN 2 V-Seal Shuttle Valve has been designed with the same footprint as the legacy Traditional Shuttle Valve for easy drop-in replacement. Gilmore's proprietary dynamic V-Seal technology provides an order of magnitude improvement in valve cycle life.

Features and Benefits:

- Qualification exceeds API 16D requirements
 - Two separate full flow tests at 2500 cycles each
- Proprietary V-Seal and hydraulic dampening technology
- Improved Valve Materials:
 - 316 SS Body and Flanges
 - Nitronic 60 Shuttle, Sleeve and Cap
 - PEEK Spacer
 - PTFE/Nitrile 90 Duro V-Seal
 - Duplex Cap Screws with T316 Nordlock Washers

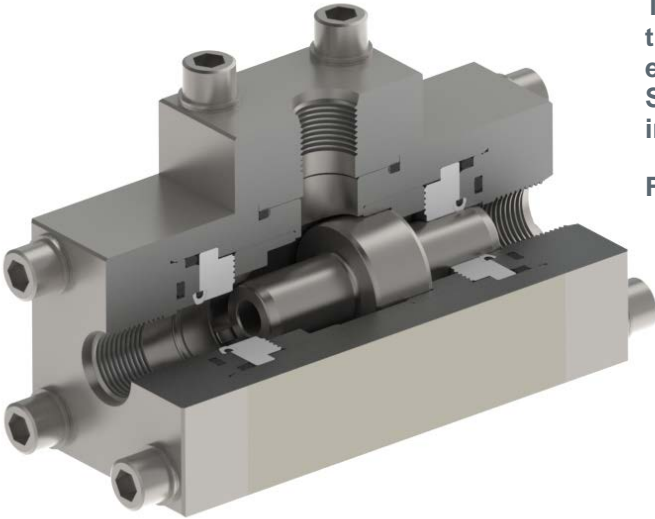


Figure 1. PN 29058: 1/2" SAE Traditional Gen 2 Shuttle Valve, 3000 psi, Low interflow

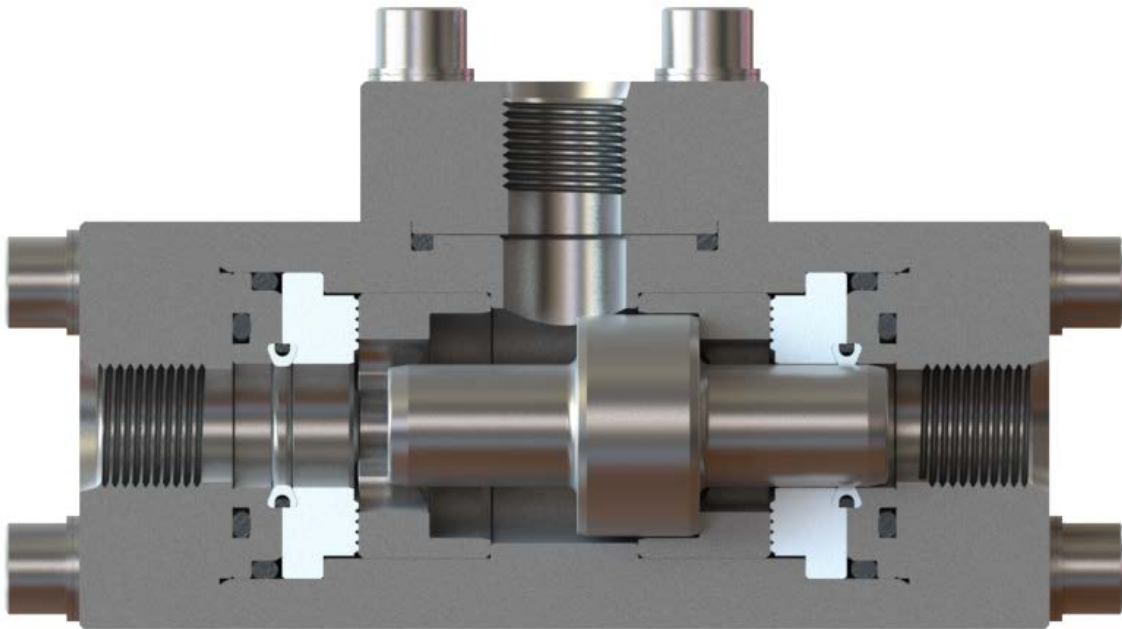


Figure 2. PN 29058: 1/2" SAE Traditional Gen 2 Shuttle Valve, 3000 psi, Low Interflow

Product Information Bulletin

3/4" GEN 2 V-Seal Shuttle Valve

Gilmore has exceeded API 16D requirements by qualifying the new 3/4" GEN 2 V-Seal Shuttle Valve designs to multiple endurance qualification tests to 2500 cycles, at a starting flow rate of 70 gpm at 5000 psi, with 1% - 4% water glycol test fluid.

The new Gilmore 3/4" GEN 2 V-Seal Shuttle Valves have an identical footprint to the legacy valves for simple retrofitting.

As a result of the new Gilmore 3/4" GEN 2 V-Seal Shuttle Valve product line, please note that sales of the legacy 3/4" Traditional Shuttle Valve part numbers listed below will be discontinued as of June 9th, 2021. The new Gilmore 3/4" GEN 2 V-Seal Shuttle Valve is now available as a replacement for the legacy 3/4" Traditional Shuttle Valves.

After they are discontinued, Gilmore will continue to support the discontinued legacy 3/4" Traditional Shuttle Valve product line:

- Gilmore will continue providing repair kits and seal kits in support of discontinued 3/4" Traditional Shuttle Valves for a minimum of 3 years. The Gilmore 3/4" Traditional Shuttle Valves listed below are field repairable.
- Gilmore Aftermarket will continue to support discontinued legacy products with factory failure analysis and repair services for a minimum of 3 years.

Table 1. New and Legacy 3/4" Shuttle Valve Part Numbers:

Item	Legacy Description	Legacy Valve PN	Legacy Repair Kit PN	New Valve Description	New Valve PN	New Repair Kit PN
1	Valve, 3/4", Shuttle, Traditional, 1" NPT, Low Interflow, 3000 psi	25412	25412 RK	Valve, 3/4", Shuttle, GEN 2, 1" NPT, Low Interflow, 3000 psi	29057	29057 RK
2	Valve, 3/4", Shuttle, Traditional, 1/2" NPT, Low Interflow, 3000 psi	25412-2	25412-2 RK	Valve, 3/4", Shuttle, GEN 2, 1/2" NPT, Low Interflow, 3000 psi	29112	29112 RK
3	Valve, 3/4", Shuttle, Traditional, 1" NPT, Low Interflow, 3000 psi	25415	25415 RK	Valve, 3/4", Shuttle, GEN 2, 1" NPT, High Interflow, 3000 psi	29113	29113 RK
4	Valve, 3/4", Shuttle, Traditional, 1/2" SAE, Low Interflow, 3000 psi	25426	25426 RK	Valve, 3/4", Shuttle, GEN 2, 1/2" SAE, Low Interflow, 3000 psi	29058	29058 RK
5	Valve, 3/4", Shuttle, Traditional, 1" NPT, Low Interflow, 3000 psi, N60 trim	181664	181666	Valve, 3/4", Shuttle, GEN 2, 1" NPT, Low Interflow, 3000 psi	29057	29113 RK
6	Valve, 3/4", Shuttle, Traditional, 1" NPT, High Interflow, 3000 psi, N60 trim	181667	181671	Valve, 3/4", Shuttle, GEN 2, 1" NPT, Low Interflow, 3000 psi	29113	29113 RK
7	Valve, 3/4", Shuttle, Traditional, 1/2" SAE, Low Interflow, 3000 psi, N60 trim	181672	181674	Valve, 3/4", Shuttle, GEN 2, 1/2" SAE, Low Interflow, 3000 psi	29058	29058 RK

Product Information Bulletin

3/4" GEN 2 V-Seal Shuttle Valve

Table 1 Continued. New and Legacy 3/4" Shuttle Valve Part Numbers:

Item	Legacy Description	Legacy Valve PN	Legacy Repair Kit PN	New Valve Description	New Valve PN	New Repair Kit PN
1	Valve, 3/4", Shuttle, Traditional, 1/2" BSPP, Low Interflow, 3000 psi	25412-1	25412-1 RK	Valve, 3/4", Shuttle, Traditional, 1/2" BSPP, Low Interflow, 3000 psi	29098	29098 RK
2	Valve, 3/4", Shuttle, Traditional, Seal Sub Mount, Low Interflow, 3000 psi	28337	28337 RK	Valve, 3/4", Shuttle, Traditional, Seal Sub Mount, Low Interflow, 3000 psi	29097	29097 RK

Please note that GEN 2 repair kits **are not** interchangeable with legacy repair kits and cannot be used in the legacy Traditional Shuttle Valves. Please contact Gilmore Customer Service to assist you with selecting GEN 2 replacement valve part numbers.

Please contact Gilmore Customer Service to request any drawings, manuals and quotations for these new GEN 2 V-seal shuttle valves at Gilmore@proserv.com.

NOTES:

- 1 MARKING: MARK COMPONENT WITH ASSEMBLY W.O. AS SHOWN ON THE COMPONET DRAWING.
- 2 MARKING: MARK AS SHOWN USING LASER ETCH OR COMPUTER CONTROLLED DOT PEEN MARKING MACHINE, .06 HIGH MIN CHARACTERS.
- 3 "X" IN COLUMN RK DENOTES PARTS CONTAINED IN REPAIR KIT 29057 RK.
- 4 "X" IN COLUMN RK DENOTES PARTS CONTAINED IN SEAL KIT 29057 SK.
- 5 ALL METAL ITEMS PASSIVATED
- 6 TORQUE ITEM 8 AT ASSEMBLY TO 20 FT-LBS. (12X)
- 7 ASSEMBLY PROCEDURE: 50302
MAINTENANCE MANUAL: 51029
STANDARD FAT PROCEDURE: 50303
EXTENDED FAT PROCEDURE: 50304

REVISIONS				
REV	ERN /ECO NUMBER	DRAWN	CHECKED	APPROVED
C	ECO 018141	JZ 4/20/20	JOP 4/21/20	AGP 4/21/20

PRESSURE DATA
MAX WORKING PRESSURE: 3,000 PSI

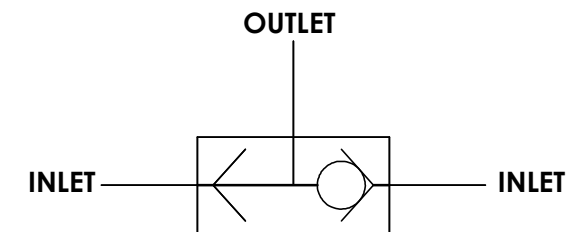
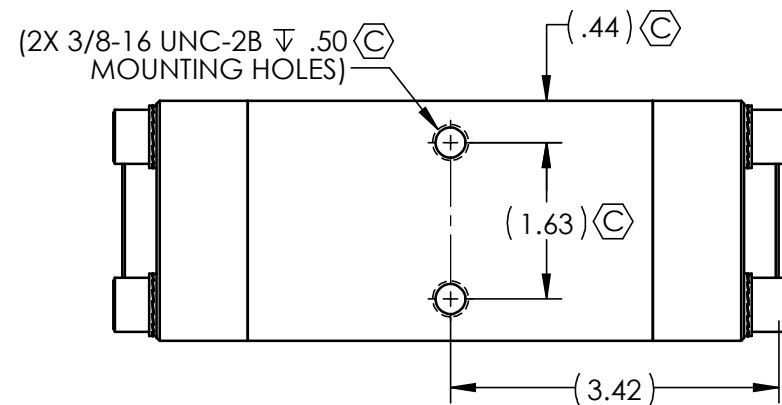
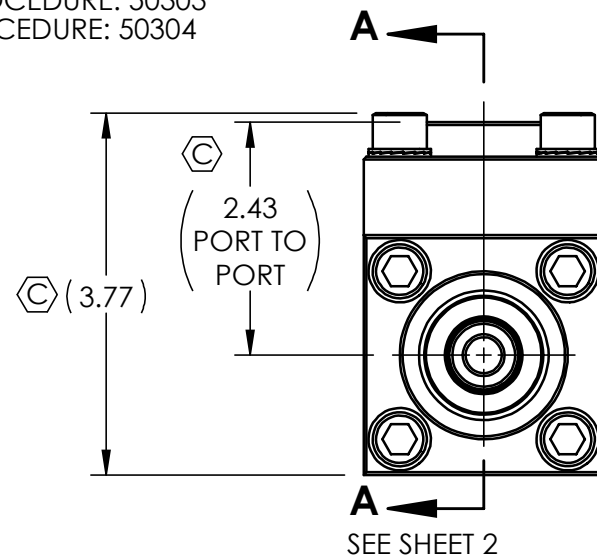
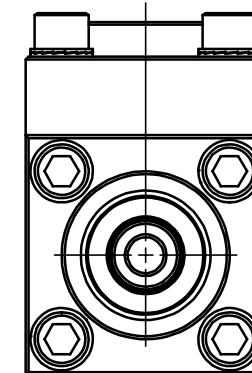
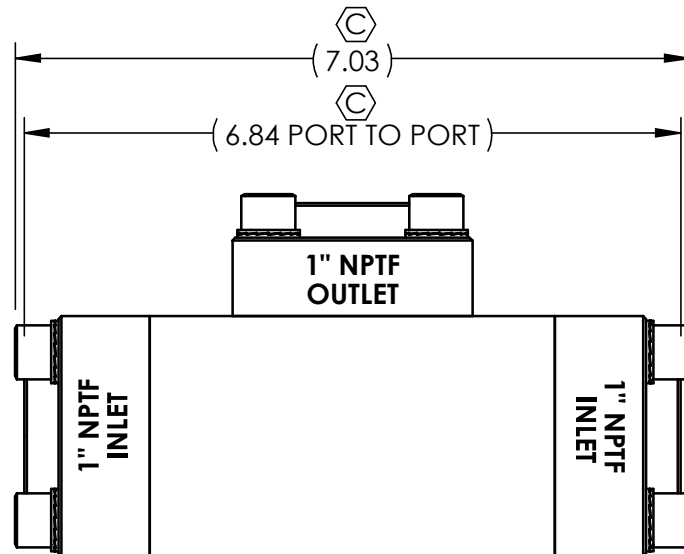
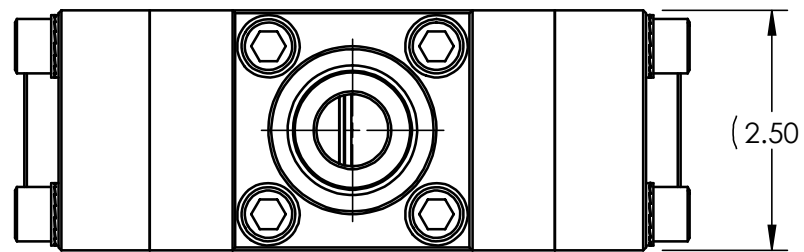
PORTS
INLETS: 1" NPTF
OUTLET: 1" NPTF

FLOW DATA
C_v: 3 (CALCULATED)
MAX FLOW CAPACITY: 70 GPM
MINIMUM SHIFT FLOW: 0.5 GPM

GENERAL DATA
APPROX WEIGHT: 10.7 LBS
TEMPERATURE: 32°F TO 150°F
FLUIDS: - WATER BASED DRILLING CONTROL FLUID.
- MINERAL OIL BASED DRILLING CONTROL FLUID.

FIELD SERVICEABLE, REPAIR KITS AVAILABLE

RECOMMENDED INSTALLED POSTION IS HORIZONTAL CENTERLINE, A VERTICAL CENTERLINE WILL INCREASE MINIMUM SHIFT FLOW REQUIRED AND GRAVITY MAY CAUSE SHUTTLE TO MOVE TO LOWEST POSITION

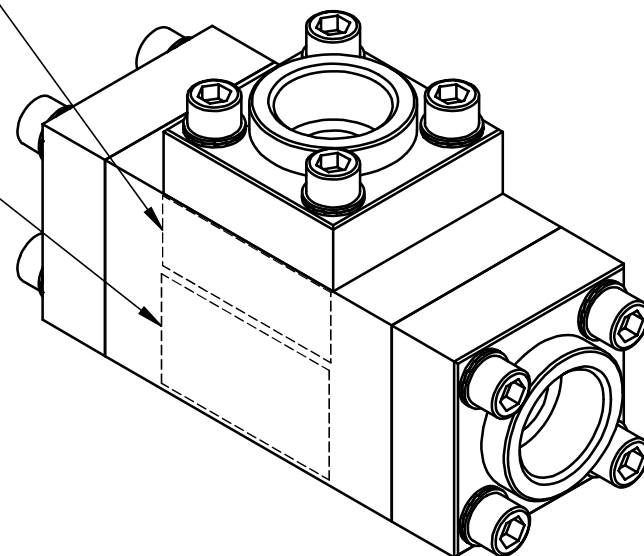


SCHEMATIC

U.S. PATENT 9,719,600



29057 VER(AX VERSION #)
(SERIAL NUMBER)
US PATENT 9,719,600
3,000 PSI
(DATE OF MFG)
SEE SHOP TRAVELER FOR ADDITIONAL INFO REQUIRED

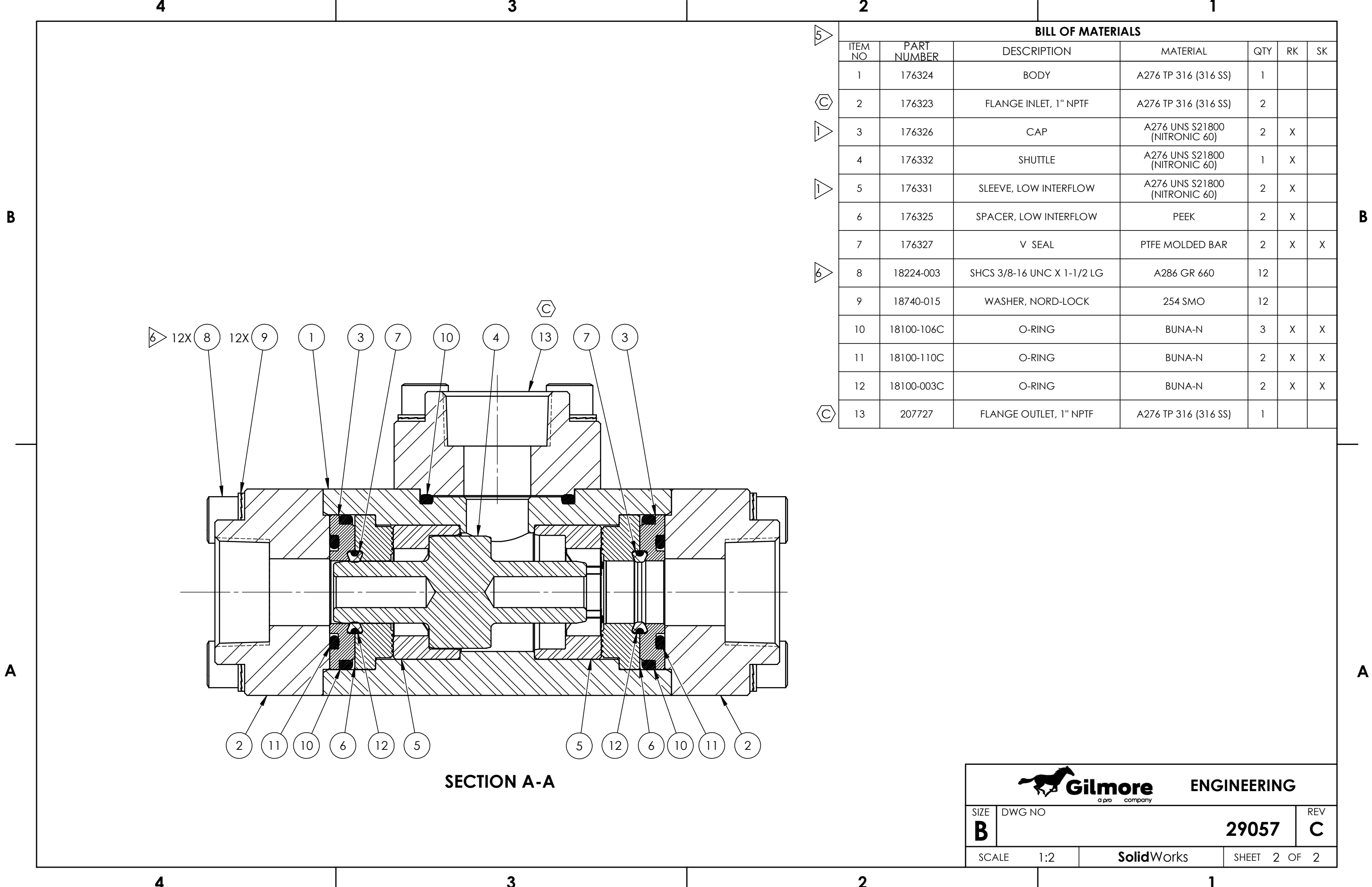


MATERIAL: SEE PARTS IN BOM	DIMENSIONS AND TOLERANCES ARE IN INCHES PER ASME Y14.5M-1994. UNLESS OTHERWISE SPECIFIED: 1) TOLERANCES: .X: ±.1 .XX: ±.01 .XXX: ±.005 ANGLES: ±.5° 2) SURFACE TEXTURE: 63 3) CORADIAL FEATURES SHALL BE WITHIN .010 4) BREAK SHARP EDGES .010 5) INTERNAL RADII SHALL BE .016 MAX 6) DRILL POINTS OPTIONAL WHEN SHOWN UNSPECIFIED, ALL DRILL POINT ANGLES SHALL BE BETWEEN 90°-140°	APPROVAL	
CONDITION:		DRAWN BY CY	DATE 5-8-18
TREATMENT:		CHECKED BY JP	DATE 5-8-18
PROCEDURE NUMBER:		ENGINEER AP	DATE 5-10-18
		ERN NUMBER 02186	DATE 5-7-18
		THE INFORMATION CONTAINED IN THIS DRAWING IS THE SOLE PROPERTY OF GILMORE VALVE CO UNLESS OTHERWISE STATED. ANY REPRODUCTION IN PART OR WHOLE WITHOUT THE WRITTEN PERMISSION OF GILMORE VALVE CO IS PROHIBITED.	



**VALVE, SHUTTLE, 3/4", GEN 2,
1" NPTF IN, 1" NPTF OUT,
3000PSI, LOW INTERFLOW**

SIZE B	DWG NO 29057	REV C
SCALE 1:2	SolidWorks	SHEET 1 OF 2



BILL OF MATERIALS

ITEM NO	PART NUMBER	DESCRIPTION	MATERIAL	QTY	RK	SK
1	176324	BODY	A276 TP 316 (316 SS)	1		
2	176323	FLANGE INLET, 1" NPTF	A276 TP 316 (316 SS)	2		
3	176326	CAP	A276 UNS S21800 (NITRONIC 60)	2	X	
4	176332	SHUTTLE	A276 UNS S21800 (NITRONIC 60)	1	X	
5	176331	SLEEVE, LOW INTERFLOW	A276 UNS S21800 (NITRONIC 60)	2	X	
6	176325	SPACER, LOW INTERFLOW	PEEK	2	X	
7	176327	V SEAL	PTFE MOLDED BAR	2	X	X
8	18224-003	SHCS 3/8-16 UNC X 1-1/2 LG	A286 GR 660	12		
9	18740-015	WASHER, NORD-LOCK	254 SMO	12		
10	18100-106C	O-RING	BUNA-N	3	X	X
11	18100-110C	O-RING	BUNA-N	2	X	X
12	18100-003C	O-RING	BUNA-N	2	X	X
13	207727	FLANGE OUTLET, 1" NPTF	A276 TP 316 (316 SS)	1		

SECTION A-A



ENGINEERING

SIZE B	DWG NO 29057	REV C
SCALE 1:2	SolidWorks	SHEET 2 OF 2

NOTES:

- 1 MARKING: MARK COMPONENT WITH ASSEMBLY W.O. AS SHOWN ON THE COMPONET DRAWING.
- 2 MARKING: MARK AS SHOWN USING LASER ETCH OR COMPUTER CONTROLLED DOT PEEN MARKING MACHINE, .06 HIGH MIN CHARACTERS.
- 3 "X" IN COLUMN RK DENOTES PARTS CONTAINED IN REPAIR KIT 29058 RK.
- 4 "X" IN COLUMN RK DENOTES PARTS CONTAINED IN SEAL KIT 29058 SK.
- 5 ALL METAL ITEMS PASSIVATED
- 6 TORQUE ITEM 8 AT ASSEMBLY TO 20 FT-LBS. (12X)
- 7 ASSEMBLY PROCEDURE: 50302
MAINTENANCE MANUAL: 51029
STANDARD FAT PROCEDURE: 50303
EXTENDED FAT PROCEDURE: 50304

REVISIONS				
REV	ERN /ECO NUMBER	DRAWN	CHECKED	APPROVED
C	ECO 018141	JZ 4/20/20	JOP 4/21/20	AJP 4/21/20

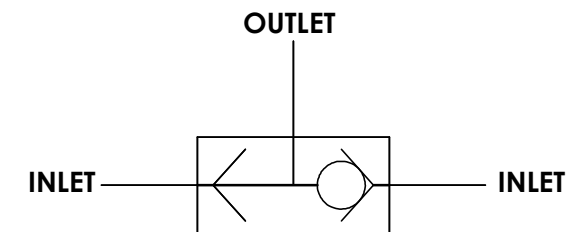
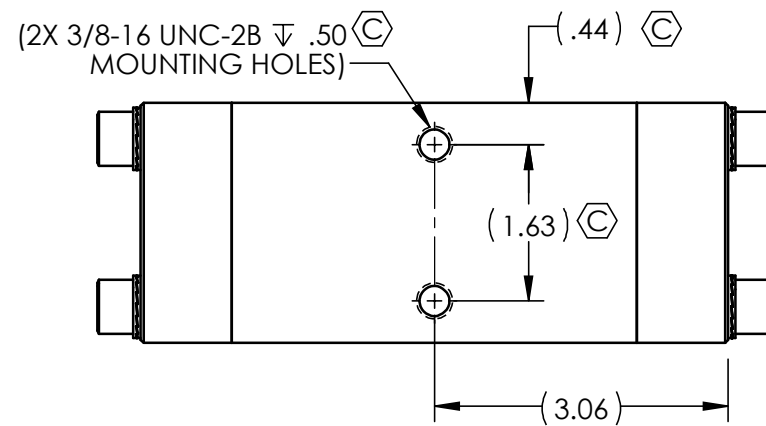
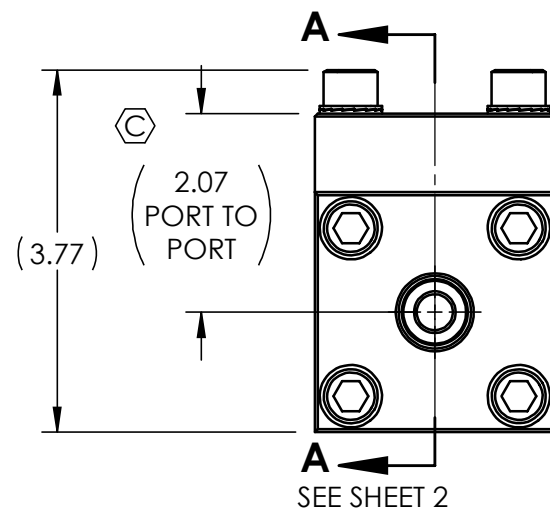
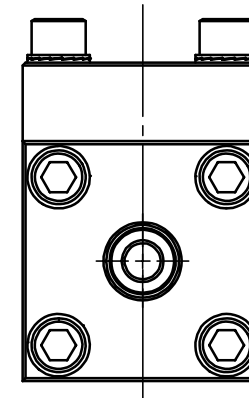
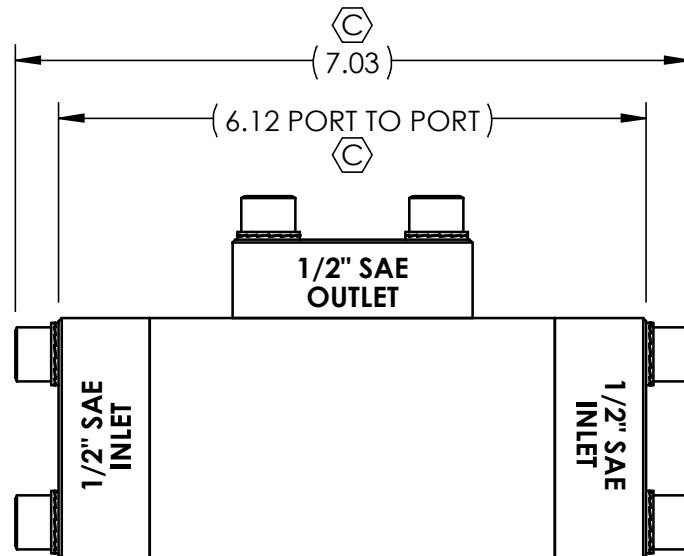
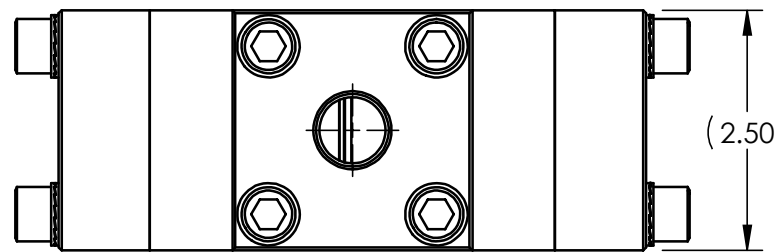
PRESSURE DATA
MAX WORKING PRESSURE: 3,000 PSI

PORTS
INLETS: 1/2" SAE
OUTLET: 1/2" SAE

FLOW DATA
C_v: 3 (CALCULATED)
MAX FLOW CAPACITY: 70 GPM
MINIMUM SHIFT FLOW: 0.5 GPM

GENERAL DATA
APPROX WEIGHT: 10.6 LBS
TEMPERATURE: 32°F TO 150°F
FLUIDS: - WATER BASED DRILLING CONTROL FLUID.
- MINERAL OIL BASED DRILLING CONTROL FLUID.

FIELD SERVICEABLE, REPAIR KITS AVAILABLE
RECOMMENDED INSTALLED POSTION IS HORIZONTAL CENTERLINE, A VERTICAL CENTERLINE WILL INCREASE MINIMUM SHIFT FLOW REQUIRED AND GRAVITY MAY CAUSE SHUTTLE TO MOVE TO LOWEST POSITION

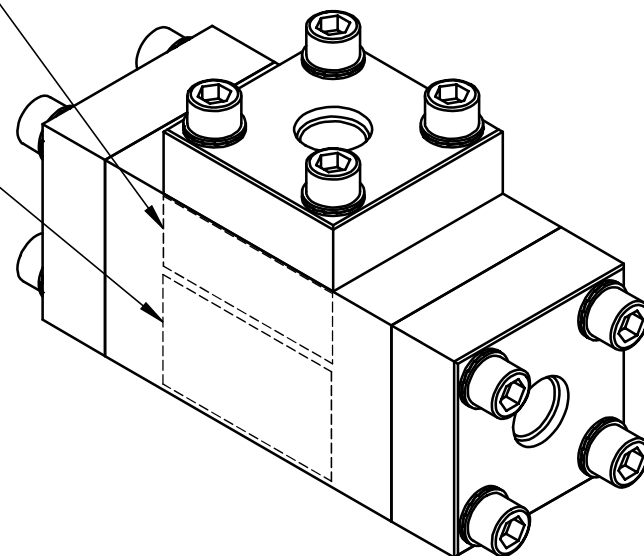


SCHEMATIC

U.S. PATENT 9,719,600



29058
VER(AX VERSION #)
(SERIAL NUMBER)
US PATENT 9,719,600
3,000 PSI
(DATE OF MFG)
SEE SHOP TRAVELER
FOR ADDITIONAL
INFO REQUIRED



MATERIAL: SEE PARTS IN BOM	DIMENSIONS AND TOLERANCES ARE IN INCHES PER ASME Y14.5M-1994. UNLESS OTHERWISE SPECIFIED: 1) TOLERANCES: .X: ±.1 .XX: ±.01 .XXX: ±.005 ANGLES: ±.5° 2) SURFACE TEXTURE: 63 3) CORADIAL FEATURES SHALL BE WITHIN .010 4) BREAK SHARP EDGES .010 5) INTERNAL RADII SHALL BE .016 MAX 6) DRILL POINTS OPTIONAL WHEN SHOWN UNSPECIFIED, ALL DRILL POINT ANGLES SHALL BE BETWEEN 90°-140°	APPROVAL	
CONDITION:		DRAWN BY CY	DATE 5-8-18
TREATMENT:		CHECKED BY JP	DATE 5-8-18
PROCEDURE NUMBER:		ENGINEER AP	DATE 5-10-18
		ERN NUMBER 02186	DATE 5-7-18
		THE INFORMATION CONTAINED IN THIS DRAWING IS THE SOLE PROPERTY OF GILMORE VALVE CO UNLESS OTHERWISE STATED. ANY REPRODUCTION IN PART OR WHOLE WITHOUT THE WRITTEN PERMISSION OF GILMORE VALVE CO IS PROHIBITED.	



**VALVE, SHUTTLE, 3/4", GEN 2,
1/2" SAE IN, 1/2" SAE OUT,
3000 PSI, LOW INTERFLOW**

SIZE B	DWG NO 29058	REV C
SCALE 1:2	SolidWorks	SHEET 1 OF 2

4

3

2

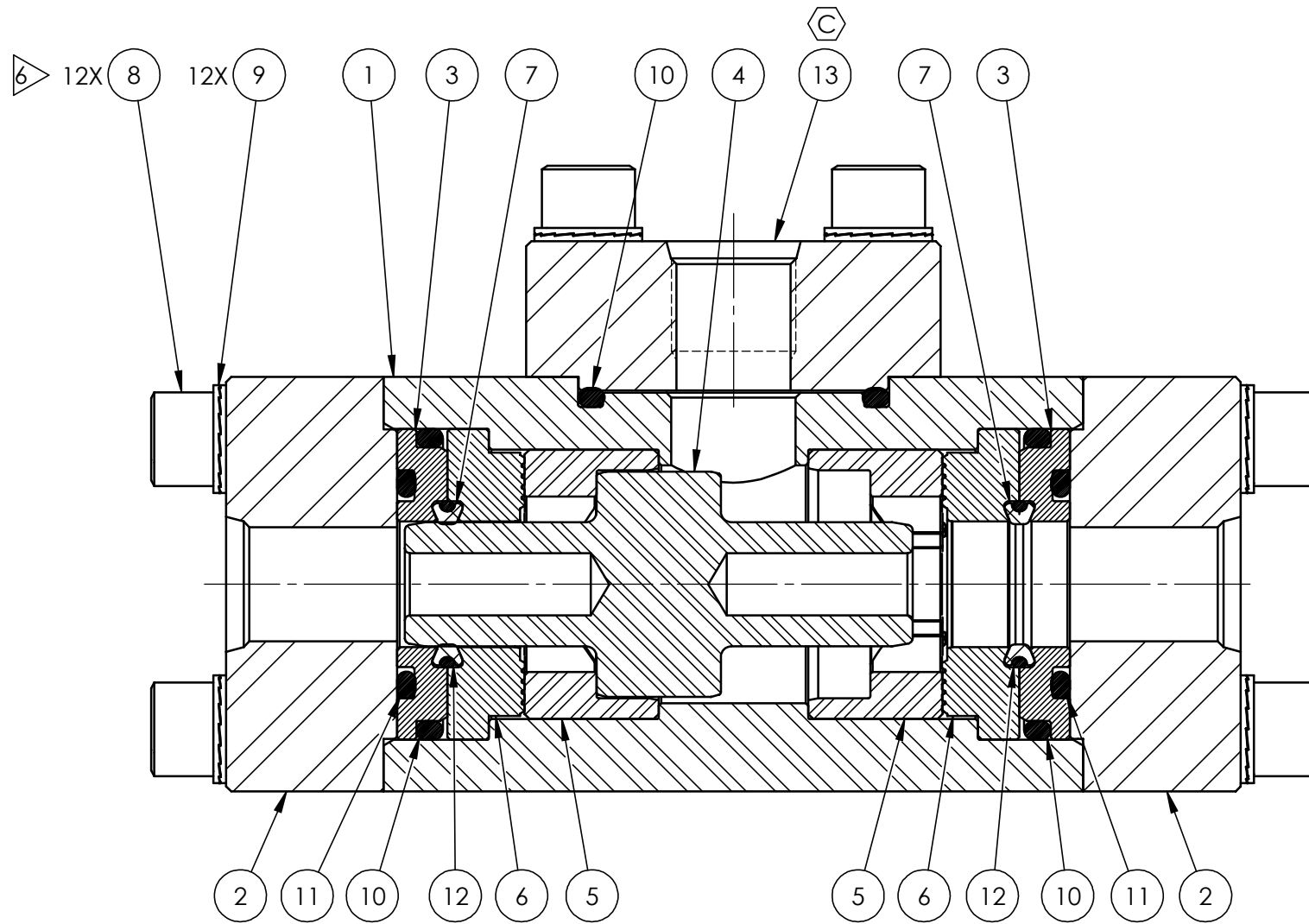
1

B

B

A

A



SECTION A-A

BILL OF MATERIALS

ITEM NO	PART NUMBER	DESCRIPTION	MATERIAL	QTY	RK	SK
1	176324	BODY	A276 TP 316 (316 SS)	1		
2	176322	FLANGE INLET, 1/2" SAE	A276 TP 316 (316 SS)	2		
3	176326	CAP	A276 UNS S21800 (NITRONIC 60)	2	X	
4	176332	SHUTTLE	A276 UNS S21800 (NITRONIC 60)	1	X	
5	176331	SLEEVE, LOW INTERFLOW	A276 UNS S21800 (NITRONIC 60)	2	X	
6	176325	SPACER, LOW INTERFLOW	PEEK	2	X	
7	176327	V SEAL	PTFE MOLDED BAR	2	X	X
8	18224-003	SHCS 3/8-16 UNC X 1-1/2 LG	A286 GR 660	12		
9	18740-015	WASHER, NORD-LOCK	254 SMO	12		
10	18100-106C	O-RING	BUNA-N	3	X	X
11	18100-110C	O-RING	BUNA-N	2	X	X
12	18100-003C	O-RING	BUNA-N	2	X	X
13	207753	FLANGE OUTLET, 1/2" SAE	A276 TP 316 (316 SS)	1		



ENGINEERING

SIZE	DWG NO	REV
B	29058	C
SCALE	1:2	SHEET 2 OF 2
SolidWorks		

4

3

2

1

4

3

2

1

NOTES:

- 1 MARKING: MARK COMPONENT WITH ASSEMBLY W.O. AS SHOWN ON THE COMPONET DRAWING.
- 2 MARKING: MARK AS SHOWN USING LASER ETCH OR COMPUTER CONTROLLED DOT PEEN MARKING MACHINE, .06 HIGH MIN CHARACTERS.
- 3 "X" IN COLUMN RK DENOTES PARTS CONTAINED IN REPAIR KIT 29112 RK.
- 4 "X" IN COLUMN RK DENOTES PARTS CONTAINED IN SEAL KIT 29112 SK.
- 5 ALL METAL ITEMS PASSIVATED
- 6 TORQUE ITEM 8 AT ASSEMBLY TO 20 FT-LBS. (12X)
- 7 ASSEMBLY PROCEDURE: 50302
MAINTENANCE MANUAL: 51029
STANDARD FAT PROCEDURE: 50303
EXTENDED FAT PROCEDURE: 50304

REVISIONS				
REV	ERN /ECO NUMBER	DRAWN	CHECKED	APPROVED
A	ERN 02385	JZ 4/20/20	JOP 4/21/20	AGP 4/21/20

PRESSURE DATA
MAX WORKING PRESSURE: 3,000 PSI

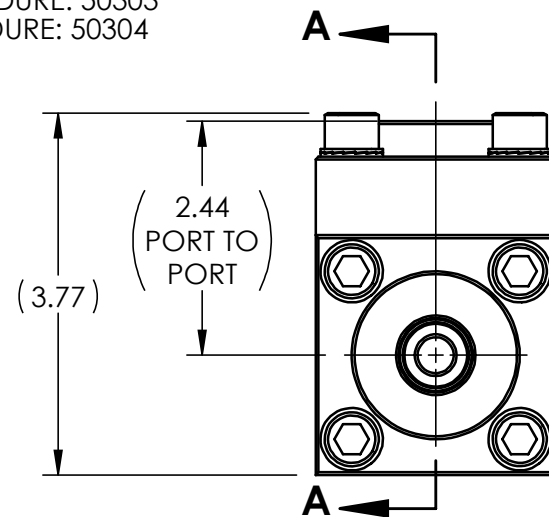
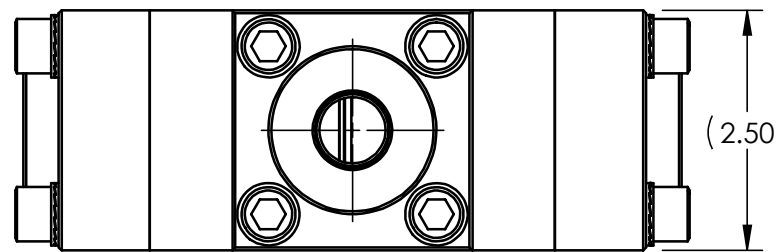
PORTS
INLETS: 1/2" NPTF
OUTLET: 1/2" NPTF

FLOW DATA
C_v: 3 (CALCULATED)
MAX FLOW CAPACITY: 70 GPM
MINIMUM SHIFT FLOW: 0.5 GPM

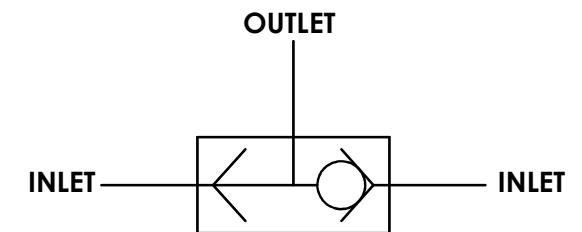
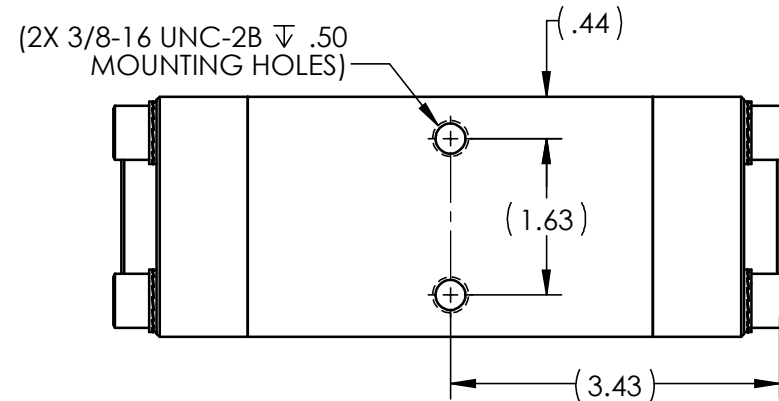
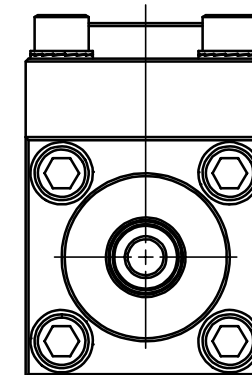
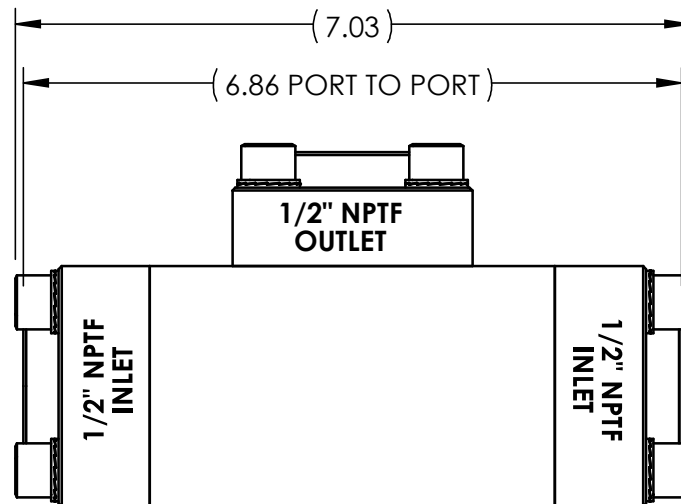
GENERAL DATA
APPROX WEIGHT: 10.7 LBS
TEMPERATURE: 32°F TO 150°F
FLUIDS: - WATER BASED DRILLING CONTROL FLUID.
- MINERAL OIL BASED DRILLING CONTROL FLUID.

FIELD SERVICEABLE, REPAIR KITS AVAILABLE

RECOMMENDED INSTALLED POSTION IS HORIZONTAL CENTERLINE, A VERTICAL CENTERLINE WILL INCREASE MINIMUM SHIFT FLOW REQUIRED AND GRAVITY MAY CAUSE SHUTTLE TO MOVE TO LOWEST POSITION



SEE SHEET 2

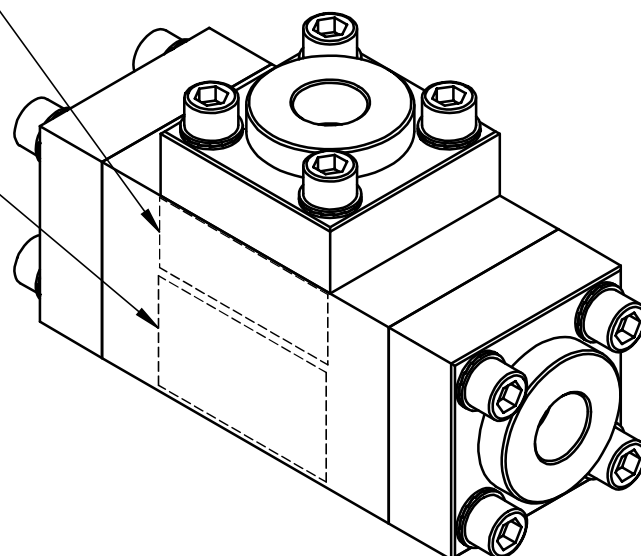


SCHEMATIC

U.S. PATENT 9,719,600

Gilmore GEN2
LOGO AND COMPANY INFO

29112
VER(AX VERSION #)
(SERIAL NUMBER)
US PATENT 9,719,600
3,000 PSI
(DATE OF MFG)
SEE SHOP TRAVELER
FOR ADDITIONAL
INFO REQUIRED



MATERIAL: SEE PARTS IN BOM	DIMENSIONS AND TOLERANCES ARE IN INCHES PER ASME Y14.5M-1994. UNLESS OTHERWISE SPECIFIED: 1) TOLERANCES: .X: ±.1 .XX: ±.01 .XXX: ±.005 ANGLES: ±.5° 2) SURFACE TEXTURE: 63/√ 3) CORADIAL FEATURES SHALL BE Ⓞ WITHIN .010 4) BREAK SHARP EDGES .010 5) INTERNAL RADII SHALL BE .016 MAX 6) DRILL POINTS OPTIONAL WHEN SHOWN UNSPECIFIED, ALL DRILL POINT ANGLES SHALL BE BETWEEN 90°-140°	APPROVAL	
CONDITION:		DRAWN BY JZ	DATE 4/21/20
TREATMENT:		CHECKED BY JOP	DATE 4/21/20
PROCEDURE NUMBER:		ENGINEER AGP	DATE 4/21/20
	ERN NUMBER 02385	DATE 2/5/2020	
THE INFORMATION CONTAINED IN THIS DRAWING IS THE SOLE PROPERTY OF GILMORE VALVE CO UNLESS OTHERWISE STATED. ANY REPRODUCTION IN PART OR WHOLE WITHOUT THE WRITTEN PERMISSION OF GILMORE VALVE CO IS PROHIBITED.			

Gilmore ENGINEERING
a pro company

**VALVE, SHUTTLE, 3/4", GEN 2,
1/2" NPTF IN, 1/2" NPTF OUT,
3000 PSI, LOW INTERFLOW**

SIZE B	DWG NO 29112	REV A
SCALE 1:2	SolidWorks	SHEET 1 OF 2

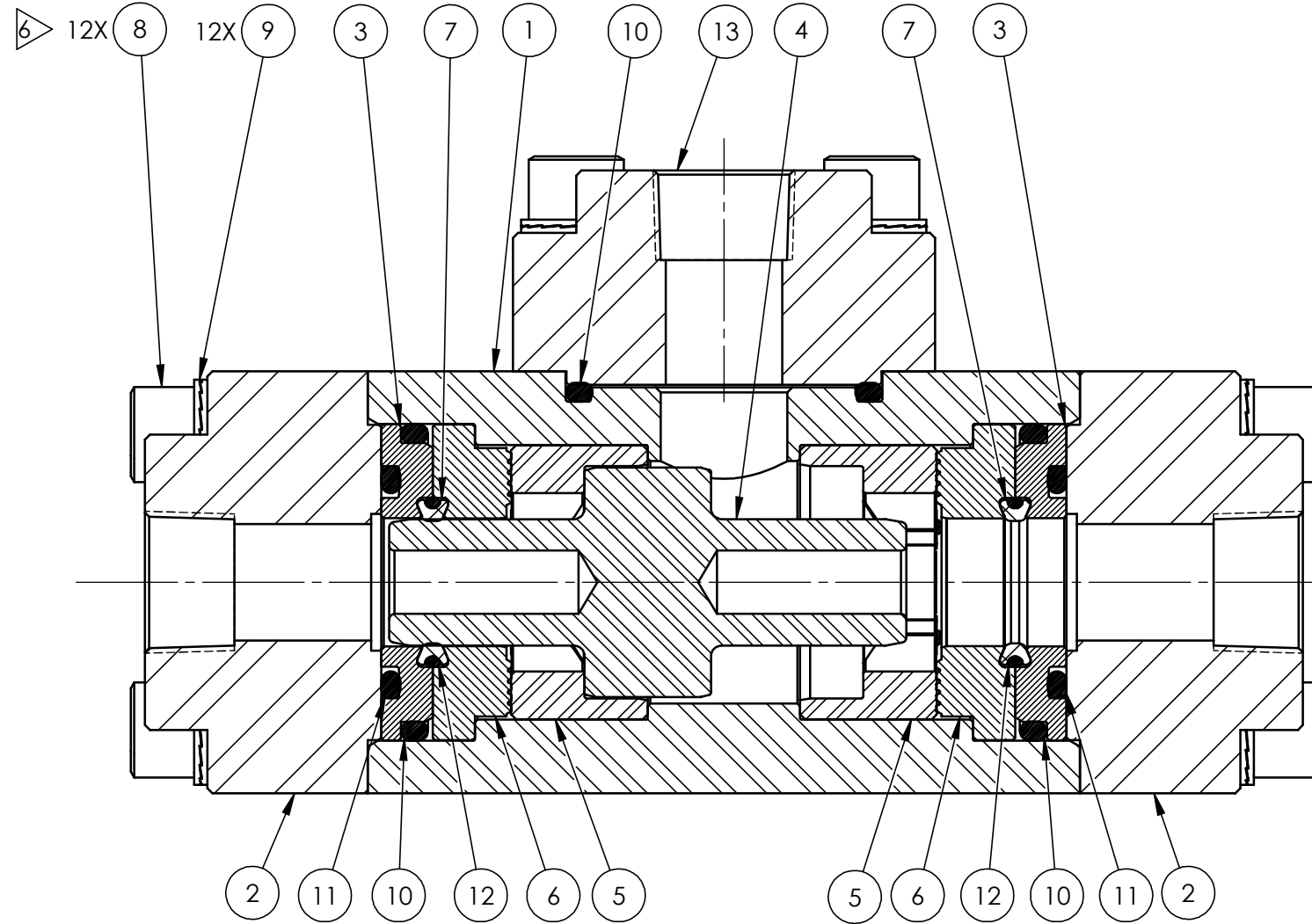
4 3 2 1

B

B

A

A



SECTION A-A

4 3 2 1

BILL OF MATERIALS

ITEM NO	PART NUMBER	DESCRIPTION	MATERIAL	QTY	RK	SK
1	176324	BODY	A276 TP 316 (316 SS)	1		
2	207533	INLET, FLANGE, 1/2" NPTF	A276 TP 316 (316 SS)	2		
3	176326	CAP	A276 UNS S21800 (NITRONIC 60)	2	X	
4	176332	SHUTTLE	A276 UNS S21800 (NITRONIC 60)	1	X	
5	176331	SLEEVE, LOW INTERFLOW	A276 UNS S21800 (NITRONIC 60)	2	X	
6	176325	SPACER, LOW INTERFLOW	PEEK	2	X	
7	176327	V SEAL	PTFE MOLDED BAR	2	X	X
8	18224-003	SHCS 3/8-16 UNC X 1-1/2 LG	A286 GR 660	12		
9	18740-015	WASHER, NORD-LOCK	254 SMO	12		
10	18100-106C	O-RING	BUNA-N	3	X	X
11	18100-110C	O-RING	BUNA-N	2	X	X
12	18100-003C	O-RING	BUNA-N	2	X	X
13	207534	OUTLET, FLANGE, 1/2" NPTF	A276 TP 316 (316 SS)	1		



ENGINEERING

SIZE	DWG NO	REV
B	29112	A
SCALE	1:2	SHEET 2 OF 2
SolidWorks		

4

3

2

1

NOTES:

- 1 MARKING: MARK COMPONENT WITH ASSEMBLY W.O. AS SHOWN ON THE COMPONET DRAWING.
- 2 MARKING: MARK AS SHOWN USING LASER ETCH OR COMPUTER CONTROLLED DOT PEEN MARKING MACHINE, .06 HIGH MIN CHARACTERS.
- 3 "X" IN COLUMN RK DENOTES PARTS CONTAINED IN REPAIR KIT 29113 RK.
- 4 "X" IN COLUMN RK DENOTES PARTS CONTAINED IN SEAL KIT 29113 SK.
- 5 ALL METAL ITEMS PASSIVATED
- 6 TORQUE ITEM 8 AT ASSEMBLY TO 20 FT-LBS. (12X)
- 7 ASSEMBLY PROCEDURE: 50302
MAINTENANCE MANUAL: 51029
STANDARD FAT PROCEDURE: 50303
EXTENDED FAT PROCEDURE: 50304

REVISIONS				
REV	ERN /ECO NUMBER	DRAWN	CHECKED	APPROVED
A	ERN 02385	JZ 4/20/20	JOP 4/21/20	AGP 4/21/20

PRESSURE DATA
MAX WORKING PRESSURE: 3,000 PSI

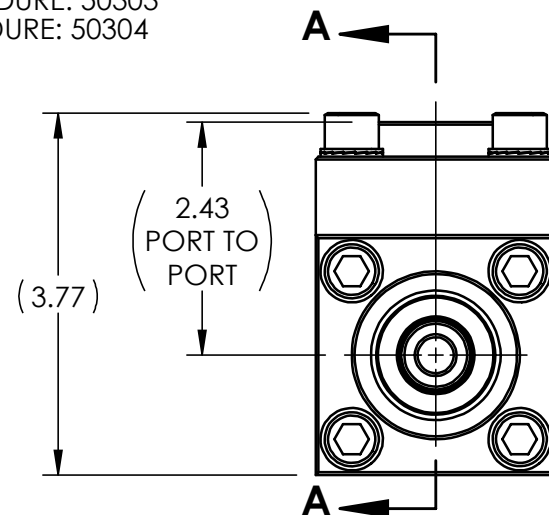
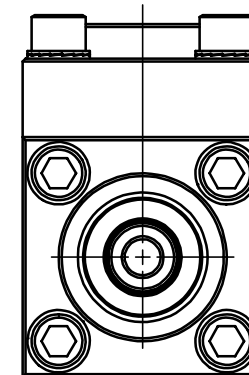
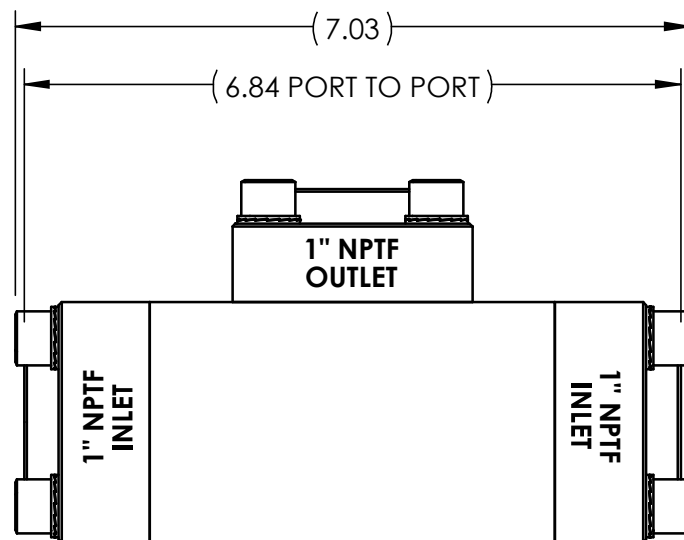
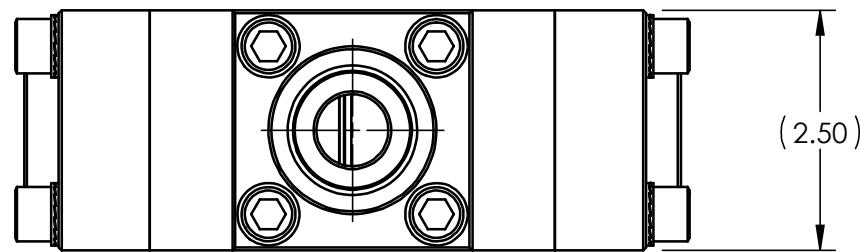
PORTS
INLETS: 1" NPTF
OUTLET: 1" NPTF

FLOW DATA
C_v: 3 (CALCULATED)
MAX FLOW CAPACITY: 70 GPM
MINIMUM SHIFT FLOW: 3 GPM

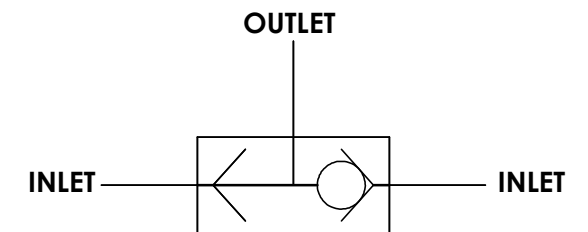
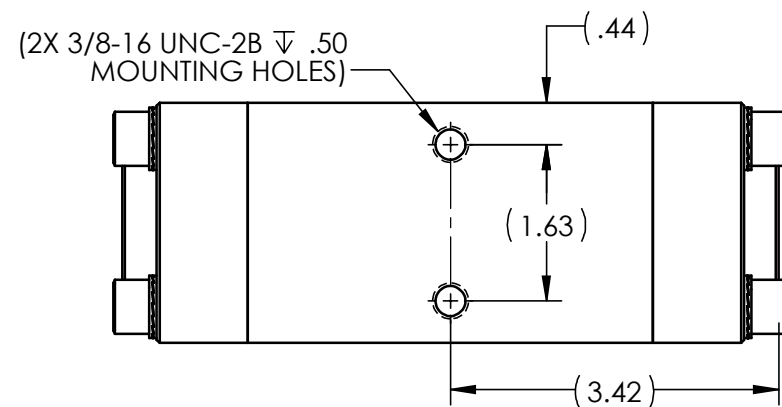
GENERAL DATA
APPROX WEIGHT: 10.7 LBS
TEMPERATURE: 32°F TO 150°F
FLUIDS: - WATER BASED DRILLING CONTROL FLUID.
- MINERAL OIL BASED DRILLING CONTROL FLUID.

FIELD SERVICEABLE, REPAIR KITS AVAILABLE

RECOMMENDED INSTALLED POSTION IS HORIZONTAL CENTERLINE, A VERTICAL CENTERLINE WILL INCREASE MINIMUM SHIFT FLOW REQUIRED AND GRAVITY MAY CAUSE SHUTTLE TO MOVE TO LOWEST POSITION



SEE SHEET 2

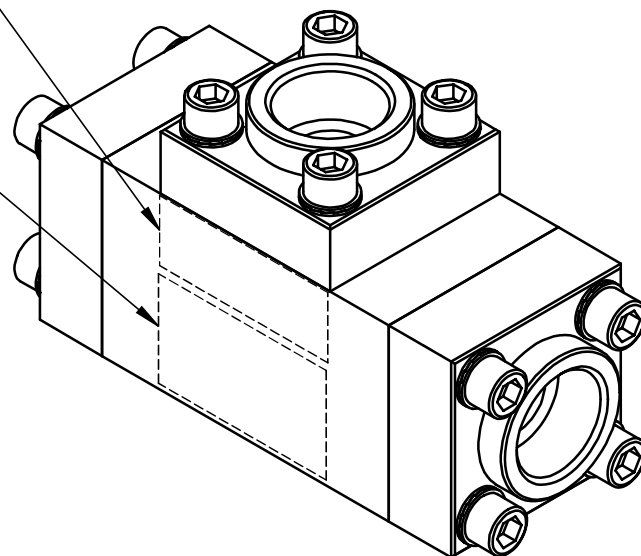


SCHEMATIC

U.S. PATENT 9,719,600

Gilmore GEN2
LOGO AND COMPANY INFO

29113
VER(AX VERSION #)
(SERIAL NUMBER)
US PATENT 9,719,600
3,000 PSI
(DATE OF MFG)
SEE SHOP TRAVELER
FOR ADDITIONAL
INFO REQUIRED



MATERIAL: SEE PARTS IN BOM	DIMENSIONS AND TOLERANCES ARE IN INCHES PER ASME Y14.5M-1994. UNLESS OTHERWISE SPECIFIED: 1) TOLERANCES: .X: ±.1 .XX: ±.01 .XXX: ±.005 ANGLES: ±.5° 2) SURFACE TEXTURE: 63/√ 3) CORADIAL FEATURES SHALL BE Ⓞ WITHIN .010 4) BREAK SHARP EDGES .010 5) INTERNAL RADII SHALL BE .016 MAX 6) DRILL POINTS OPTIONAL WHEN SHOWN UNSPECIFIED, ALL DRILL POINT ANGLES SHALL BE BETWEEN 90°-140°	APPROVAL	
CONDITION:		DRAWN BY JZ	DATE 4/21/20
TREATMENT:		CHECKED BY JOP	DATE 4/21/20
PROCEDURE NUMBER:		ENGINEER AGP	DATE 4/21/20
		ERN NUMBER 02385	DATE 2/6/202
THE INFORMATION CONTAINED IN THIS DRAWING IS THE SOLE PROPERTY OF GILMORE VALVE CO UNLESS OTHERWISE STATED. ANY REPRODUCTION IN PART OR WHOLE WITHOUT THE WRITTEN PERMISSION OF GILMORE VALVE CO IS PROHIBITED.			

Gilmore ENGINEERING
a pro company

**VALVE, SHUTTLE, 3/4", GEN 2,
1" NPTF IN, 1" NPTF OUT, 3000
PSI, HIGH INTERFLOW**

SIZE B	DWG NO 29113	REV A
SCALE 1:2	SolidWorks	SHEET 1 OF 2

4

3

2

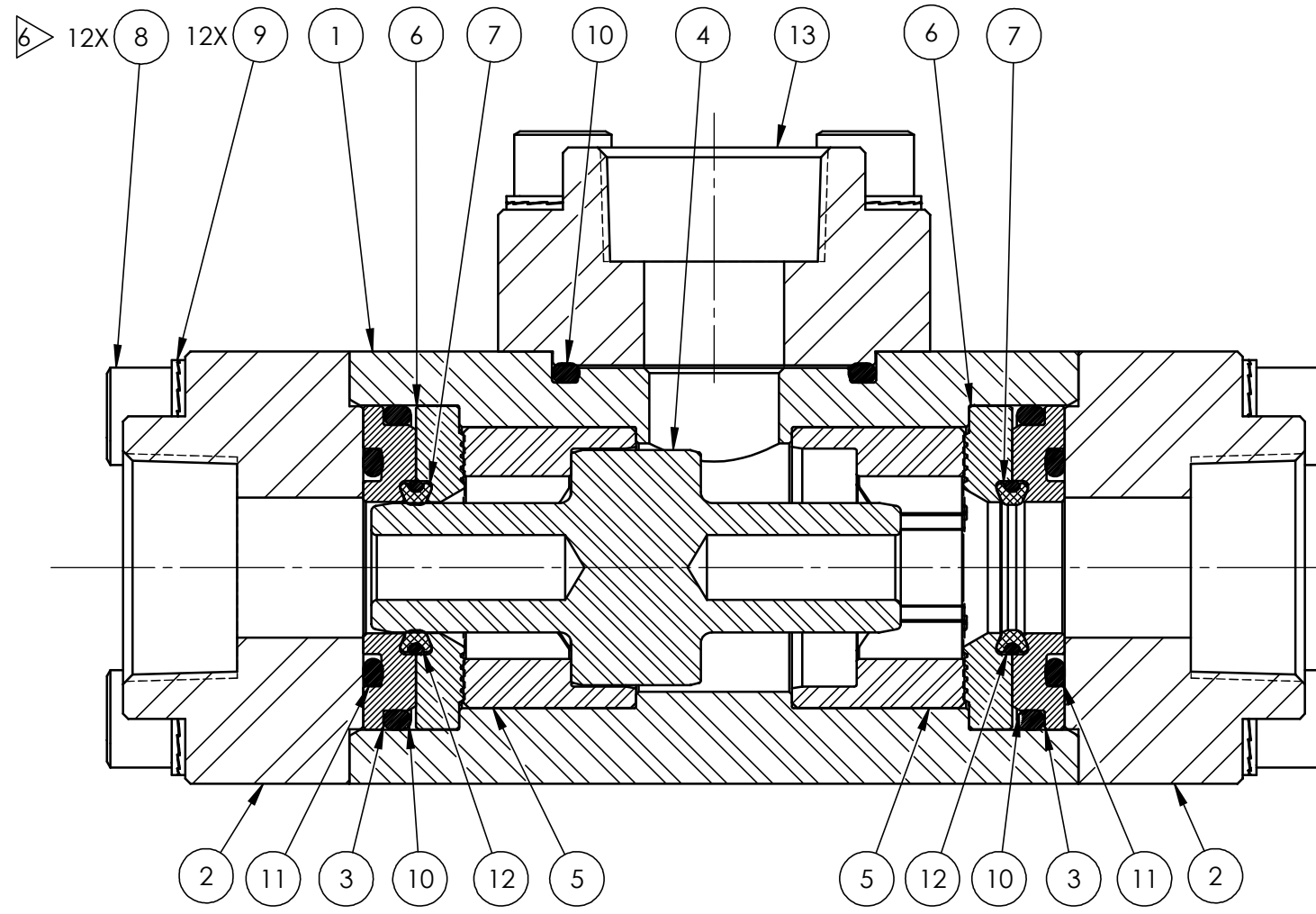
1

B

B

A

A



SECTION A-A

BILL OF MATERIALS

ITEM NO	PART NUMBER	DESCRIPTION	MATERIAL	QTY	RK	SK
1	176324	BODY	A276 TP 316 (316 SS)	1		
2	176323	INLET, FLANGE, 1" NPTF	A276 TP 316 (316 SS)	2		
3	176326	CAP	A276 UNS S21800 (NITRONIC 60)	2	X	
4	176332	SHUTTLE	A276 UNS S21800 (NITRONIC 60)	1	X	
5	207535	SLEEVE, HIGH INTERFLOW	A276 UNS S21800 (NITRONIC 60)	2	X	
6	207536	SPACER, HIGH INTERFLOW	PEEK	2	X	
7	176327	V SEAL	PTFE MOLDED BAR	2	X	X
8	18224-003	SHCS 3/8-16 UNC X 1-1/2 LG	A286 GR 660	12		
9	18740-015	WASHER, NORD-LOCK	254 SMO	12		
10	18100-106C	O-RING	BUNA-N	3	X	X
11	18100-110C	O-RING	BUNA-N	2	X	X
12	18100-003C	O-RING	BUNA-N	2	X	X
13	207727	OUTLET, FLANGE, 1" NPTF	A276 TP 316 (316 SS)	1		



ENGINEERING

SIZE B	DWG NO 29113	REV A
SCALE 1:2	SolidWorks	SHEET 2 OF 2

4

3

2

1